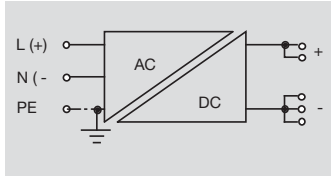


CP T SNT 180W 24V 7.5A

CP T SNT 360W 24V 15A

CP T SNT 600W 24V 25A



Technical Data

Input Specifications	CP T SNT 180W 24V 7.5A	CP T SNT 360W 24V 15A	CP T SNT 600W 24V 25A
Input voltage	115VAC/230VAC autoselect	115VAC/230VAC autoselect	115VAC/230VAC autoselect
Input voltage range	85-132/187-264 VAC autoselect (output current derating below 100VAC)*	85-132/187-264 VAC autoselect (output current derating below 100VAC)*	85-132/187-264 VAC autoselect (output current derating below 100VAC)*
Input voltage frequency	47Hz - 63Hz	47Hz - 63Hz	47Hz - 63Hz
Harmonic limits	EN 61000-3-2, Class A (for limited output power)	EN 61000-3-2, Class A (for limited output power)	EN 61000-3-2, Class A (for limited output power)
Hold up time	20ms min. 115/230 VAC	20ms min. 115/230 VAC	20ms min. 115/230 VAC
Inrush current	<13A @ 115VAC; <25A @ 230VAC	<16A @ 115VAC; <25A @ 230VAC	<25A @ 115VAC; <30A @ 230VAC
Recommended Circuit breaker, Curve 1 or fuse, slow blow type	6A	10A	15A
Efficiency	87% typ.	87% typ.	87% typ.
Output Specifications			
Output voltage	24 VDC	24 VDC	24 VDC
Output voltage adj. range	24-28 VDC	24-28 VDC	24-28 VDC
Output current	7.5A	15A	25A
Output power max.	180W	360W	600W
Regulation – Input variation	0.5 % max.	0.5 % max.	0.5 % max.
– Load variation (10–100 %)	0.5 % max.	0.5 % max.	0.5 % max.
Ripple and Noise (20MHz Bandwidth)	100 mV pk-pk typ. (200 mV pk-pk max. at I _{max})	100 mV pk-pk typ. (200 mV pk-pk max. at I _{max})	100 mV pk-pk typ. (200 mV pk-pk max. at I _{max})
Electronic short circuit protection	Current limitation at I _{max} , constant current, automatic recovery	Current limitation at I _{max} , constant current, automatic recovery	Current limitation at I _{max} , constant current, automatic recovery
Output overvoltage protection	35V	35V	35V
Overload protection	electronic overload protection	electronic overload protection	electronic overload protection
Overtemperature protection	Switch off at overtemperature, automatic restart	Switch off at overtemperature, automatic restart	Switch off at overtemperature, automatic restart
Status indicator	Dual color LED (green: DC ok; red: DC off)	Dual color LED (green: DC ok; red: DC off)	Dual color LED (green: DC ok; red: DC off)
Power OK signal – trigger threshold:	18-22 V	18-22 V	18-22 V
– active output signal: (reference to -Vout)	22.0 V ±2.0 V (20 mA max.)	22.0 V ±2.0 V (20 mA max.)	22.0 V ±2.0 V (20 mA max.)
– relay output	rated: 30 VDC/1.0 A	rated: 30 VDC/1.0 A	rated: 30 VDC/1.0 A
General Specifications			
Operating temperature range	-25 °C to +70 °C max. (-13 °F to +158°F)**	-25 °C to +70 °C max. (-13 °F to +158°F)**	-25 °C to +70 °C max. (-13 °F to +158°F)**
Cooling	convection cooling, no internal fan	convection cooling, no internal fan	convection cooling, no internal fan
Mounting	TS35 DIN-rail (Horizontal) to allow for cooling	TS35 DIN-rail (Horizontal) to allow for cooling	TS35 DIN-rail (Horizontal) to allow for cooling
Storage temperature	-25 °C to +85 °C (- 13°F to +185°F)	-25 °C to +85 °C (- 13°F to +185°F)	-25 °C to +85 °C (- 13°F to +185°F)
Humidity (non condensing)	95 % rel. H max.	95 % rel. H max.	95 % rel. H max.
Pollution degree	2	2	2
Temperature coefficient	0.02 %/K	0.02 %/K	0.02 %/K
Reliability, calculated MTBF @ 25°C acc. to IEC 61709	>0.9 Million hours, max. load	>0.9 Million hours, max. load	>0.9 Million hours, max. load
Remote On/Off	by ext. contact.	by ext. contact.	by ext. contact.
(See LIT0917 - Installation Instructions)	DC on: -S contact open DC off: -S connected via 1Kohm to -Vout according to IEC/EN 60950-1, UL 60950-1, UL 508	DC on: -S contact open DC off: -S connected via 1Kohm to -Vout according to IEC/EN 60950-1, UL 60950-1, UL 508	DC on: -S contact open DC off: -S connected via 1Kohm to -Vout according to IEC/EN 60950-1, UL 60950-1, UL 508
Isolation			
Environment – Vibration acc. IEC 60068-2-6; – Shock acc. IEC 60068-2-27	3 axis, sine sweep, 10–55 Hz, 1 g, 1 oct/min 3 axis, 15 g half sine, 11 ms	3 axis, sine sweep, 10–55 Hz, 1 g, 1 oct/min 3 axis, 15 g half sine, 11 ms	3 axis, sine sweep, 10–55 Hz, 1 g, 1 oct/min 3 axis, 15 g half sine, 11 ms
Dimension (W x D x H)	54 x 110 x 110 mm	80 x 125 x 125 mm	165 x 125 x 125 mm
Clearances – Above/Below – Sides	80 mm (3.15 in) 10 mm (0.39 in)	80 mm (3.15 in) 10 mm (0.39 in)	80 mm (3.15 in) 10 mm (0.39 in)
Weight	0.7kg	1.1kg	2.8kg
Approvals	See Approvals Table, page 6	See Approvals Table, page 6	See Approvals Table, page 6

Ordering Data

Type	Part No.	Type	Part No.	Type	Part No.
CP T SNT 180W 24V 7.5A	1105810000	CP T SNT 360W 24V 15A	1105820000	CP T SNT 600W 24V 25A	1105840000

* See Graph B, page 8

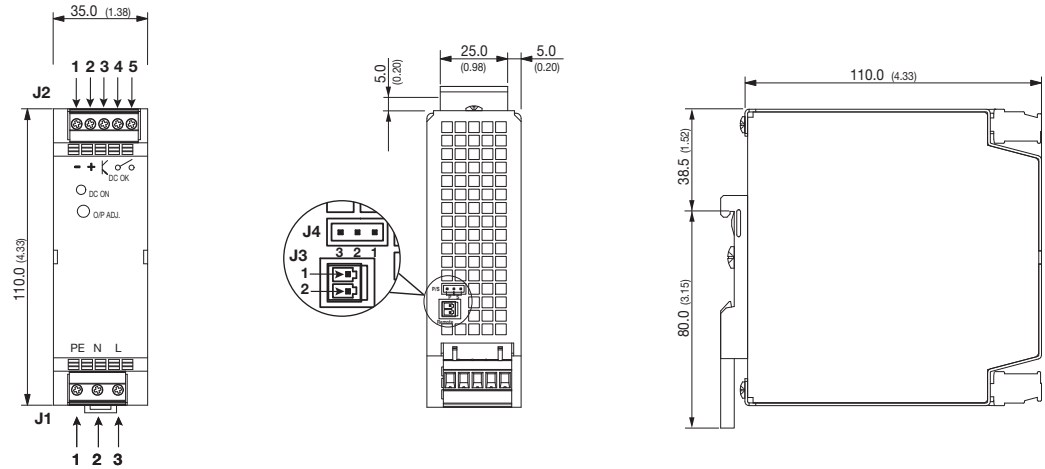
**See Graph A, page 8

Agency Approvals

UL file E236157	cULus Listed to UL508, CSA C22.2 No. 14
UL file E255651	cRUus to ANSI/UL60950, CSA60950
CSA file 246286	CSA to C22.2 No. 107.1
CSA file 246286	cCSAus to CSA60950, ANSI/UL60950
CSA file 246286	cCSAus C1D2 to C22.2 No. 213
CSA file 246286	cCSAus C1Z2 to CSA60079-15 & ANSI/ISA 12.012.01
IEC file SI-1729 B3	CE marked

CP T SNT 70W 12V 6A
CP T SNT 90W 24V 3.8A

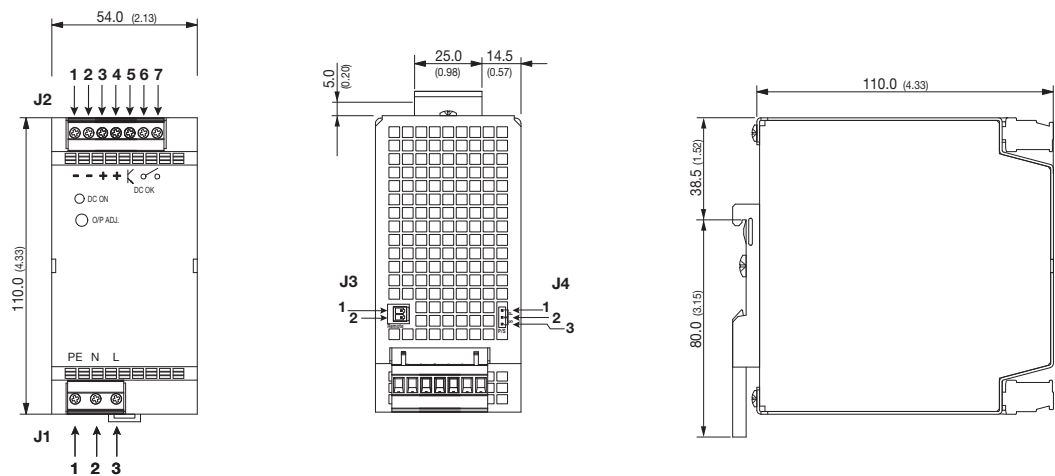
Weight: 0.5kg (1.0lb)



	J1	J2	J3	J4
Pin 1	Earth	GND (-)	S+	Normal Mode
Pin 2	Neutral	Vout (+)	S-	Common
Pin 3	Live	DC-OK Signal	-	Parallel Mode
Pin 4	-	DC-OK Relay Contact 1	-	-
Pin 5	-	DC-OK Relay Contact 2	-	-

CP T SNT 140W 12V 12A
CP T SNT 180W 24V 7.5A
CP T SNT 180W 48V 4A

Weight: 0.7kg (1.4lb)



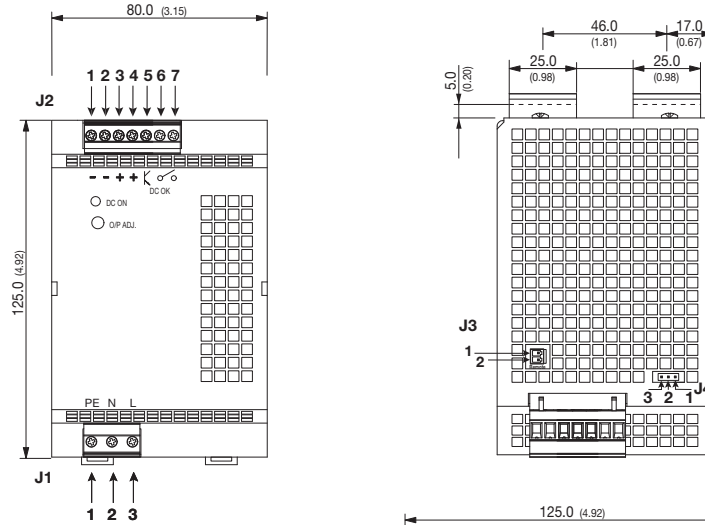
	J1	J2	J3	J4
Pin 1	Earth	GND (-)	S+	Normal Mode
Pin 2	Neutral	GND (-)	S-	Common
Pin 3	Live	Vout (+)	-	Parallel Mode
Pin 4	-	Vout (+)	-	-
Pin 5	-	DC-OK Signal	-	-
Pin 6	-	DC-OK Relay Contact 1	-	-
Pin 7	-	DC-OK Relay Contact 2	-	-

Dimensions in [mm], () = inch
Tolerances: ±0.5 mm (±0.02)

For detailed installation instructions, please visit www.weidmuller.com/power_supplies and download LIT0917

CP T SNT 360W 24V 15A
 CP T SNT 360W 48V 7.5A

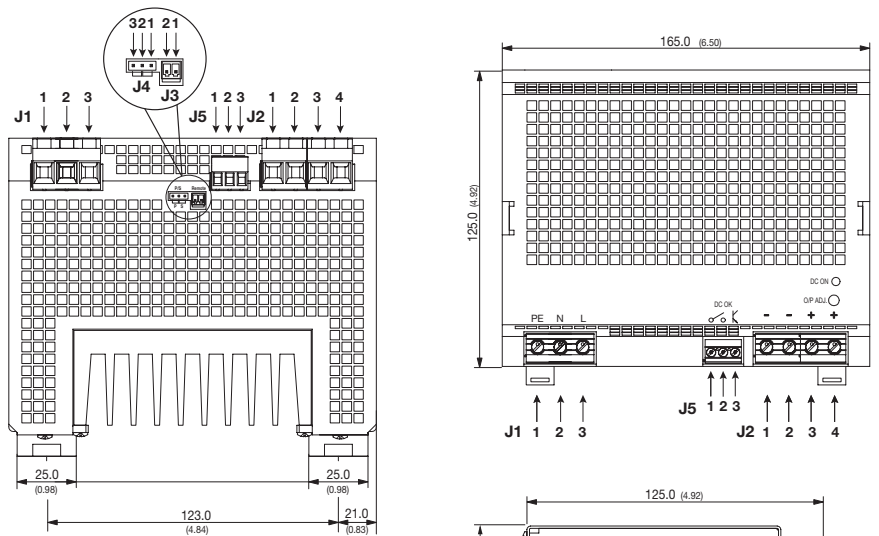
Weight: 1.1kg (2.4lb)



	J1	J2	J3	J4
Pin 1	Earth	GND (-)	S+	Normal Mode
Pin 2	Neutral	GND (-)	S-	Common
Pin 3	Live	Vout (+)	-	Parallel Mode
Pin 4	-	Vout (+)	-	-
Pin 5	-	DC-OK Signal	-	-
Pin 6	-	DC-OK Relay Contact 1	-	-
Pin 7	-	DC-OK Relay Contact 2	-	-

CP T SNT 600W 24V 24A
 CP T SNT 600W 48V 12.5A

Weight: 2.8kg (6.0lb)

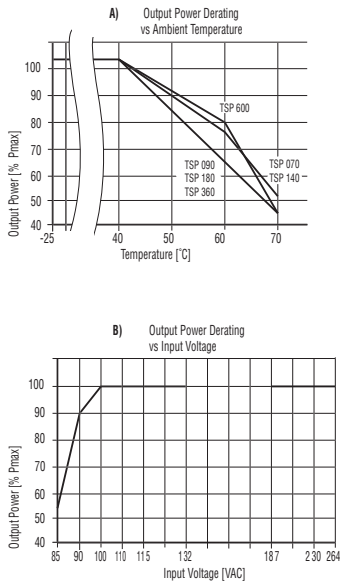


	J1	J2	J3	J4	J5
Pin 1	Earth	GND (-)	S+	Normal Mode	DC-OK Relay Contact 1
Pin 2	Neutral	GND (-)	S-	Common	DC-OK Relay Contact 2
Pin 3	Live	Vout (+)	-	Parallel Mode	DC-OK Signal
Pin 4	-	Vout (+)	-	-	-

Dimensions in [mm], () = inch
 Tolerances: ±0.5 mm (±0.02)

For detailed installation instructions, please visit www.weidmuller.com/power_supplies

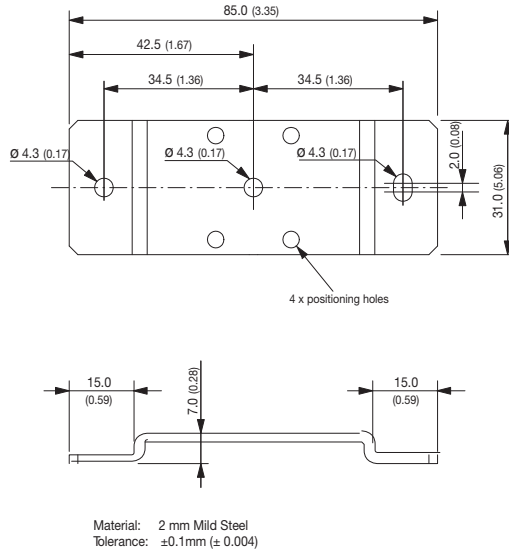
Power Supplies
Output Power Derating



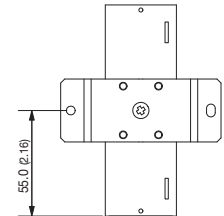
Wall Mounting Bracket

Ordering Data	Type	For Models	Content of Kit
1129210000	CP MB01	CP T SNT 70W, 90W, 140W, 180W	1 bracket type A
1129200000	CP MB02	CP T SNT 360W, 600W	2 brackets type B

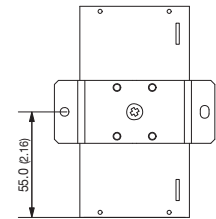
Type A:



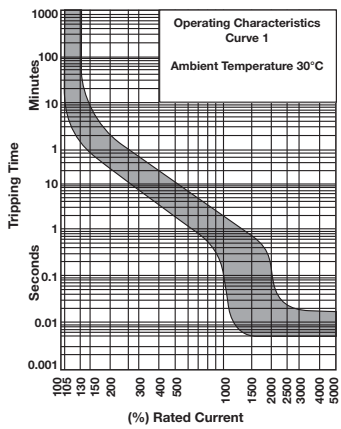
CP T SNT 70W, 90W



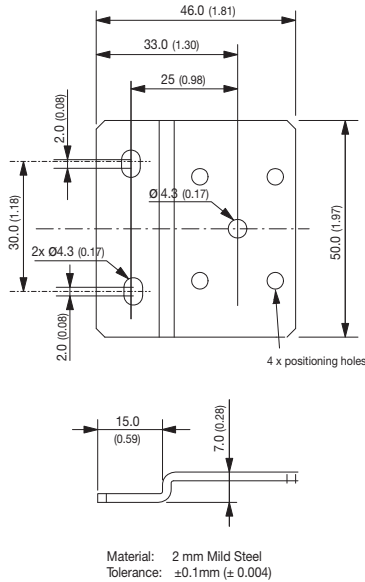
CP T SNT 140W, 180W



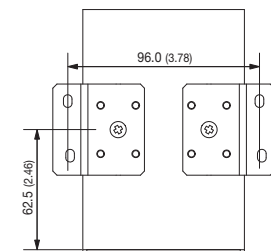
Trip Curve



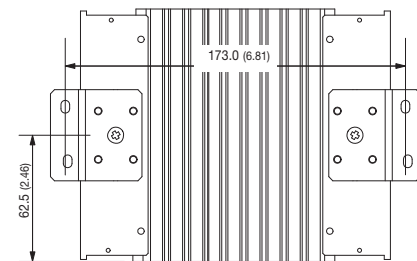
Type B:



CP T SNT 360W



CP T SNT 600W



Dimensions: [mm] () = Inch

For detailed installation instructions, please visit www.weidmuller.com/power_supplies and download LIT0917