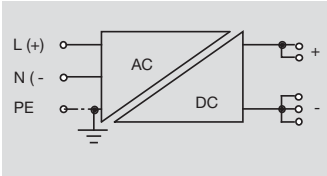


CP T SNT 70W 12V 6A

CP T SNT 140W 12V 12A

CP T SNT 90W 24V 3.8A



Technical Data

Input Specifications	CP T SNT 70W 12V 6A	CP T SNT 140W 12V 12A	CP T SNT 90W 24V 3.8A
Input voltage	115VAC/230VAC autoselect	115VAC/230VAC autoselect	115VAC/230VAC autoselect
Input voltage range	85-132/187-264 VAC autoselect (output current derating below 100VAC)*	85-132/187-264 VAC autoselect (output current derating below 100VAC)*	85-132/187-264 VAC autoselect (output current derating below 100VAC)*
Input voltage frequency	47Hz - 63Hz	47Hz - 63Hz	47Hz - 63Hz
Harmonic limits	EN 61000-3-2, Class A (for limited output power)	EN 61000-3-2, Class A (for limited output power)	EN 61000-3-2, Class A (for limited output power)
Hold up time	20ms min. 115/230 VAC	20ms min. 115/230 VAC	20ms min. 115/230 VAC
Inrush current	<12A @ 115VAC; <20A @ 230VAC	<13A @ 115VAC; <25A @ 230VAC	<12A @ 115VAC; <20A @ 230VAC
Recommended Circuit breaker, Curve 1 or fuse, slow blow type	6A	6A	6A
Efficiency	87% typ.	87% typ.	87% typ.
Output Specifications			
Output voltage	12 VDC	12 VDC	24 VDC
Output voltage adj. range	12-14 VDC	12-14 VDC	24-28 VDC
Output current	6.5A	13.0A	3.75A
Output power max.	70W	140W	90W
Regulation – Input variation	0.5 % max.	0.5 % max.	0.5 % max.
– Load variation (10–100 %)	0.5 % max.	0.5 % max.	0.5 % max.
Ripple and Noise (20MHz Bandwidth)	100 mV pk-pk typ. (200 mV pk-pk max. at I <sub>max</sub> )	100 mV pk-pk typ. (200 mV pk-pk max. at I <sub>max</sub> )	100 mV pk-pk typ. (200 mV pk-pk max. at I <sub>max</sub> )
Electronic short circuit protection	Current limitation at I <sub>max</sub> , constant current, automatic recovery	Current limitation at I <sub>max</sub> , constant current, automatic recovery	Current limitation at I <sub>max</sub> , constant current, automatic recovery
Output overvoltage protection	20V	20V	35V
Overload protection	electronic overload protection	electronic overload protection	electronic overload protection
Overtemperature protection	Switch off at overtemperature, automatic restart	Switch off at overtemperature, automatic restart	Switch off at overtemperature, automatic restart
Status indicator	Dual color LED (green: DC ok; red: DC off)	Dual color LED (green: DC ok; red: DC off)	Dual color LED (green: DC ok; red: DC off)
Power OK signal – trigger threshold:	9–11 V	9–11 V	18-22 V
– active output signal: (reference to –Vout)	11.0 V ±1.0 V (20 mA max.)	11.0 V ±1.0 V (20 mA max.)	22.0 V ±2.0 V (10 mA max.)
– relay output	rated: 30 VDC/1.0 A	rated: 30 VDC/1.0 A	rated: 30 VDC/1.0 A
General Specifications			
Operating temperature range	–25 °C to +70 °C max. (–13 °F to +158°F)**	–25 °C to +70 °C max. (–13 °F to +158°F)**	–25 °C to +70 °C max. (–13 °F to +158°F)**
Cooling	convection cooling, no internal fan	convection cooling, no internal fan	convection cooling, no internal fan
Mounting	TS35 DIN-rail (Horizontal) to allow for cooling	TS35 DIN-rail (Horizontal) to allow for cooling	TS35 DIN-rail (Horizontal) to allow for cooling
Storage temperature	–25 °C to +85 °C (–13 °F to +185°F)	–25 °C to +85 °C (–13 °F to +185°F)	–25 °C to +85 °C (–13 °F to +185°F)
Humidity (non condensing)	95 % rel. H max.	95 % rel. H max.	95 % rel. H max.
Pollution degree	2	2	2
Temperature coefficient	0.02 %/K	0.02 %/K	0.02 %/K
Reliability, calculated MTBF @ 25°C acc. to IEC 61709	>1.8 Million hours, max. load	>1.2 Million hours, max. load	>1.8 Million hours, max. load
Remote On/Off	by ext. contact.	by ext. contact.	by ext. contact.
(See LIT0917 - Installation Instructions)	DC on: -S contact open DC off: -S connected via 1Kohm to -Vout according to IEC/EN 60950-1, UL 60950-1, UL 508	DC on: -S contact open DC off: -S connected via 1Kohm to -Vout according to IEC/EN 60950-1, UL 60950-1, UL 508	DC on: -S contact open DC off: -S connected via 1Kohm to -Vout according to IEC/EN 60950-1, UL 60950-1, UL 508
Isolation			
Environment – Vibration acc. IEC 60068-2-6; – Shock acc. IEC 60068-2-27	3 axis, sine sweep, 10–55 Hz, 1 g, 1 oct/min 3 axis, 15 g half sine, 11 ms	3 axis, sine sweep, 10–55 Hz, 1 g, 1 oct/min 3 axis, 15 g half sine, 11 ms	3 axis, sine sweep, 10–55 Hz, 1 g, 1 oct/min 3 axis, 15 g half sine, 11 ms
Dimension (W x D x H)	35 x 110 x 110 mm	54 x 110 x 110 mm	35 x 110 x 110 mm
Clearances – Above/Below – Sides	80 mm (3.15 in) 10 mm (0.39 in)	80 mm (3.15 in) 10 mm (0.39 in)	80 mm (3.15 in) 10 mm (0.39 in)
Weight	0.5kg	0.7kg	0.5kg
Approvals	See Approvals Table, page 6	See Approvals Table, page 6	See Approvals Table, page 6

Ordering Data

Type	Part No.	Type	Part No.	Type	Part No.
CP T SNT 70W 12V 6A	1105430000	CP T SNT 140W 12V 12A	1105440000	CP T SNT 90W 24V 3.8A	1105790000

\* See Graph B, page 8

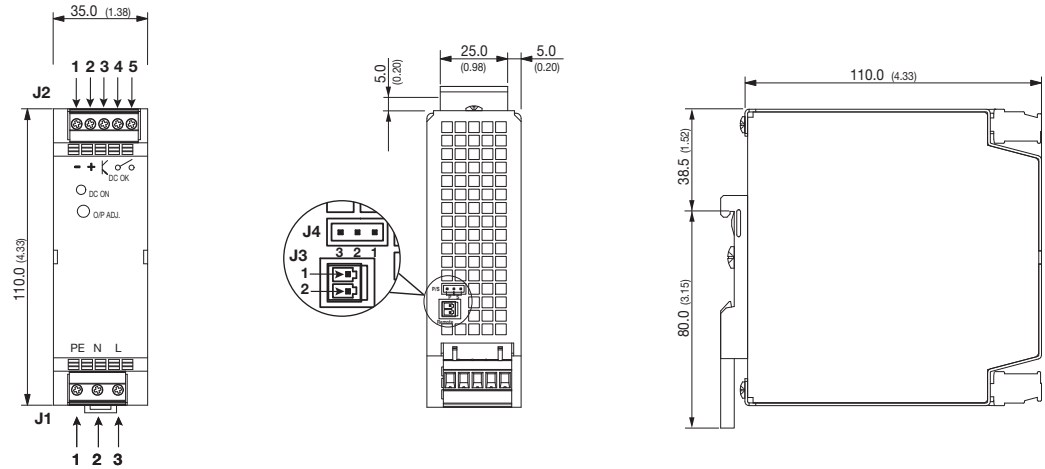
\*\*See Graph A, page 8

Agency Approvals

UL file E236157	cULus Listed to UL508, CSA C22.2 No. 14
UL file E255651	cRUus to ANSI/UL60950, CSA60950
CSA file 246286	CSA to C22.2 No. 107.1
CSA file 246286	cCSAus to CSA60950, ANSI/UL60950
CSA file 246286	cCSAus C1D2 to C22.2 No. 213
CSA file 246286	cCSAus C1Z2 to CSA60079-15 & ANSI/ISA 12.012.01
IEC file SI-1729 B3	CE marked

CP T SNT 70W 12V 6A  
CP T SNT 90W 24V 3.8A

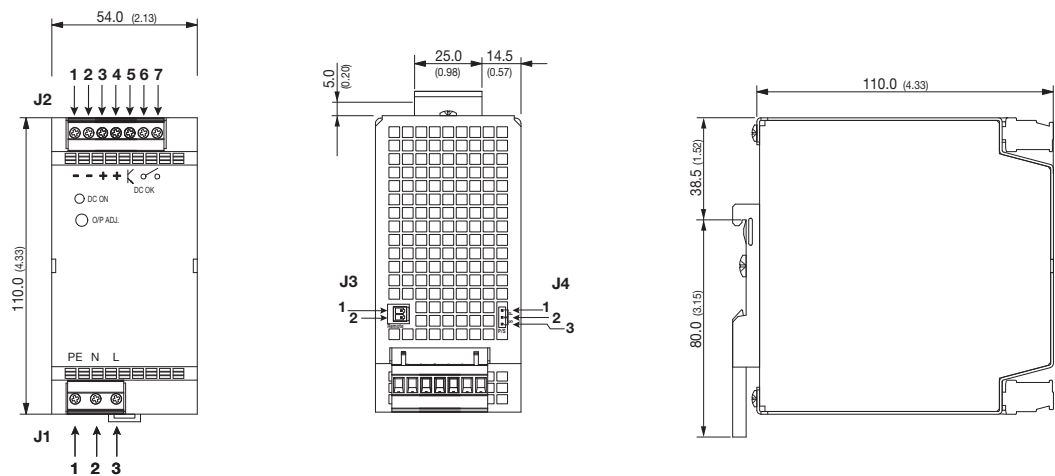
Weight: 0.5kg (1.0lb)



	J1	J2	J3	J4
Pin 1	Earth	GND (-)	S+	Normal Mode
Pin 2	Neutral	Vout (+)	S-	Common
Pin 3	Live	DC-OK Signal	-	Parallel Mode
Pin 4	-	DC-OK Relay Contact 1	-	-
Pin 5	-	DC-OK Relay Contact 2	-	-

CP T SNT 140W 12V 12A  
CP T SNT 180W 24V 7.5A  
CP T SNT 180W 48V 4A

Weight: 0.7kg (1.4lb)

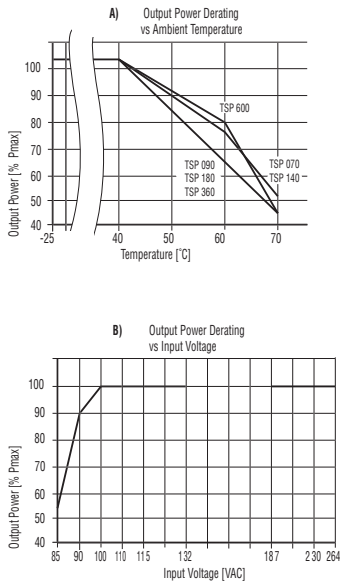


	J1	J2	J3	J4
Pin 1	Earth	GND (-)	S+	Normal Mode
Pin 2	Neutral	GND (-)	S-	Common
Pin 3	Live	Vout (+)	-	Parallel Mode
Pin 4	-	Vout (+)	-	-
Pin 5	-	DC-OK Signal	-	-
Pin 6	-	DC-OK Relay Contact 1	-	-
Pin 7	-	DC-OK Relay Contact 2	-	-

Dimensions in [mm], ( ) = inch  
Tolerances: ±0.5 mm (±0.02)

For detailed installation instructions, please visit [www.weidmuller.com/power\\_supplies](http://www.weidmuller.com/power_supplies) and download LIT0917

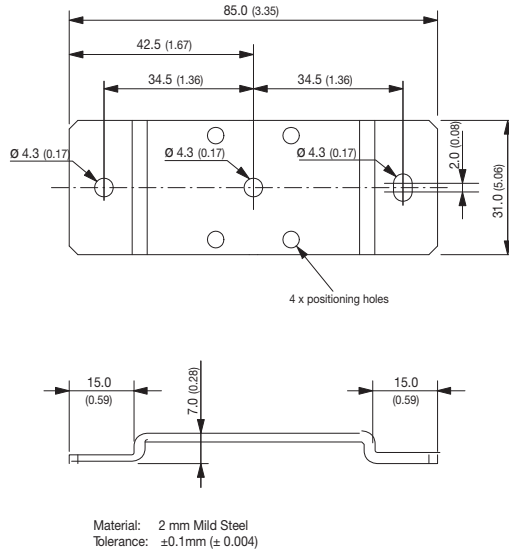
Power Supplies  
Output Power Derating



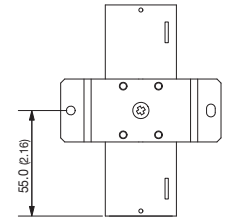
Wall Mounting Bracket

Ordering Data	Type	For Models	Content of Kit
1129210000	CP MB01	CP T SNT 70W, 90W, 140W, 180W	1 bracket type A
1129200000	CP MB02	CP T SNT 360W, 600W	2 brackets type B

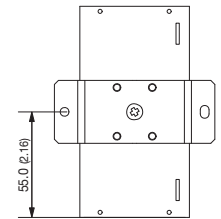
Type A:



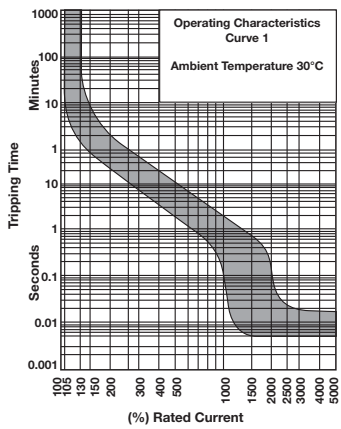
CP T SNT 70W, 90W



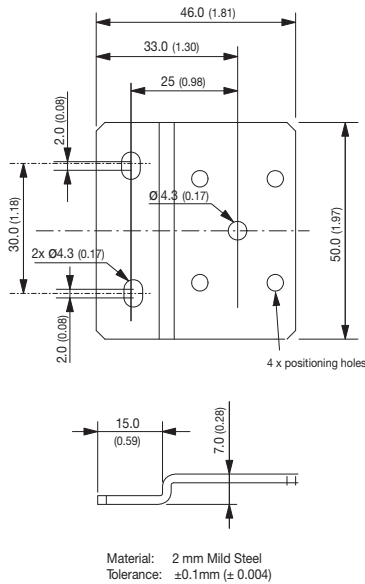
CP T SNT 140W, 180W



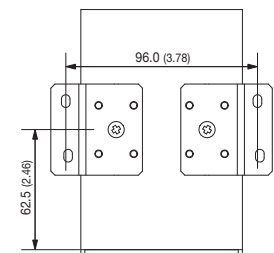
Trip Curve



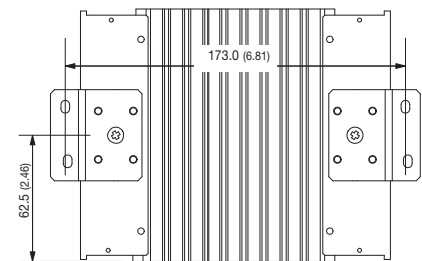
Type B:



CP T SNT 360W



CP T SNT 600W



Dimensions: [mm] ( ) = Inch

For detailed installation instructions, please visit [www.weidmuller.com/power\\_supplies](http://www.weidmuller.com/power_supplies) and download LIT0917