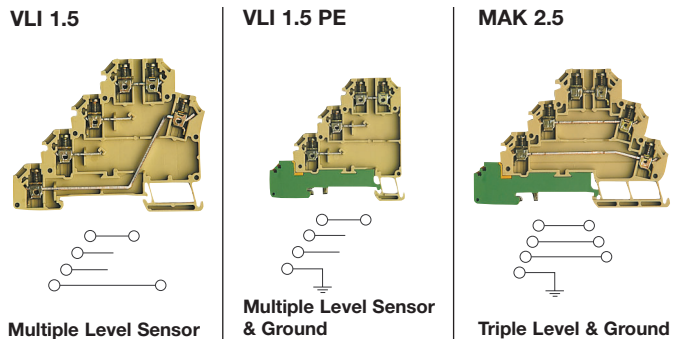
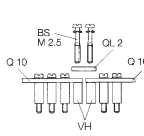


Feed Through Terminals



Terminal Block Selection Data		VLI 1.5	VLI 1.5 PE	MAK 2.5
Available Options	Version	⌒ ⌒	⌒ ⌒	⌒ ⌒
	Beige PA	1633250000	1633310000	1615270000
Dimensions				
Width / Length / Height mm (in.)	for TS 32 ⌒ for TS 35 ⌒	6/79/64 (.24/3.11/2.52)	6/69/63 (.24/2.72/2.48)	6/88/64 (.24/3.47/2.52)
Insulation stripping length	mm (in.)	7 (.28)	7 (.28)	7 (.28)
Technical Data				
Rated voltage / rated current / wire size	UL	300 V / 10 A / #22...12 AWG*	300 V / 10 A / #22...12 AWG*	300 V / 10 A / #22...12 AWG*
	CSA			300 V / 10 A / #26...12 AWG*
	VDE	250 V / 24 A / 2.5 mm ²	250 V / 24 A / 2.5 mm ²	400 V/(L-L)/250 V (L-PE)/24 A/2.5 mm ²
Torque	Nm (lb. in.)	0.5 (4.5)	0.5 (4.5)	0.5 (4.5)
Clamping screw	M	2.5	2.5	2.5
Rated surge voltage/contamination level			8 kV / 3	8 kV / 3
Continuous current of cross connector, multi-pole			24	24
Selected Accessory Data[‡]				
End Plate (thickness mm)	Type	Part No.	Type	Part No.
	PA	AP VLI (1.5) 1633260000	AP VLI 1.5 PE (1.5) 1633320000	AP MAK 2.5 (1.5) 1615280000
End plate for combination VLI 1.5 / MAK 2.5		TEAP 2 MAK (1.5) 1633330000		TEAP 2 MAK (1.5) 1633330000
End plate for combination VLI 1.5 / VLI 1.5 PE		TEAP VLI (1.5) 1633270000	TEAP VLI (1.5) 1633270000	
End plate for combination VLI 1.5 PE / MAK 2.5			TEAP 1 MAK (1.5) 1633340000	TEAP 1 MAK (1.5) 1633340000
Jumpers				
	Final number indicates number of poles. See the Accessories Section for more information.	Blue	VQB 1.5/50BL 1633280000*	VQB1.5/50BL 1633280000*
		Red	VQB 1.5/50RT 1633290000*	VQB1.5/50RT 1633290000*
		Black	VQB 1.5/50SW 1635120000*	VQB1.5/50SW 1635120000*
	When cross connecting more than 20 terminal blocks, exchange VH for VH 3.8 without internal threads.	Blue		QB 25BL 0520080000*
		Red		QB 25RT 0520060000*
		Black		QB 25SW 0520000000*
Marking Tags				
	Print			
Note: Part numbers are shown for a single card of pre-printed tags numbered 1-50.	Consecutive horizontal	DEK 5/5 0473460001	DEK 5/5 0473460001	DEK 5/5 0473460001
	Consecutive vertical	DEK 5/5 0473560001	DEK 5/5 0473560001	DEK 5/5 0473560001



[‡]See Accessories section for additional information.
*When using external jumpers, maximum wire size is reduced to #14 AWG.