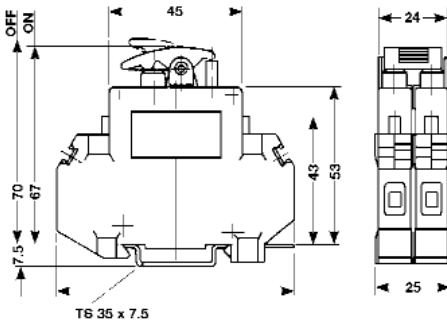


# CB4202-10 Double Pole



Dimensions in mm

## Technical Data

Rated voltage & current †	Voltage Ratings		Current Ratings
	UL	AC 250 V, DC 80 V, 50/60 Hz	
CSA	AC 250 V, DC 80 V, 50/60 Hz		0.05...16 A
VDE	AC 250 V, DC 65 V, 50/60 Hz		0.05...16 A
Creepage resistance	PTI 600 to IEC 112		
Dielectric strength	4,000 VAC; IEC 664 & 664 A		
Insulation resistance	> 100 MΩ (DC 500 V)		
Interrupting capacity (VDE 0660, Part 101, P-2)	4201-10	maximum capacity	
	0.05...0.8 A	self-limiting	
	1...2 A	200 A	
	2.5...16 A	400 A	
Interrupting capacity; 4201-10 (UL 1077/EN 60934 PC1)	Rated current	Rated voltage	maximum capacity
	0.05...4.5 A	AC 250 V	200 A
	5...8 A	AC 250 V	1000 A
	9...15 A	AC 125 V	1000 A
	0.05...15 A	DC 65 V	200 A
Typical life at 2 x rated current	5,000 operations		
Shock	25 g (11 ms) to IEC 68-2-27, Test Ea		
Torque	Nm (lb. in.)	0.8 (7.1)	
Vibration	5 g (57 to 500 Hz / ±0.38 mm, 10 to 57 Hz) to IEC 68-2-6, Test Fc		
Temperature range	-30°C...+55°C (-22°F...+131°F)		
Corrosion	96 hours at 5% salt spray, to IEC 68-2-11, Test Ka		
Humidity	240 hours at 95% RH, to IEC 68-2-3, Test Ca		
Weight	Approximately 60 g per pole		
Wire size (UL)	#20...8 AWG	solid	
	#20...10 AWG	standard	

## 4200 Series

### M1+ 8 to 16 A

