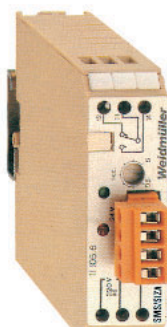


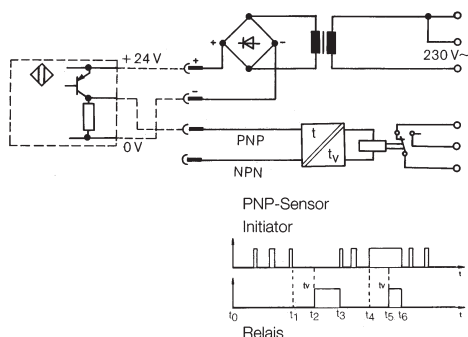
Movement and Rotational Speed Monitoring

SMS SIZA

Rotational speed monitoring



Block diagram



Ordering data

Type	Part No.
SMS/SIZA	1110560000

Description

Power supply with delayed turn-off relay output for three-conductor DC initiators (NPN or PNP). The transformer supplies the initiator with 24 VDC. The initiator signal activates the relay, at which time the adjustable turn-off delay becomes effective. This module is particularly suitable for monitoring cyclic movements, e.g. down-times monitoring of conveyor drives, ventilators and pumps or stroke monitoring of valves, die cutters and drilling heads. A contact element actuates the initiator at regular intervals. If these pulses cease, i.e. the proximity switch is continuously actuated (t_4 - t_6) or deactivated (t_1 - t_3), the relay transmits a signal after the set time has elapsed. During normal operation, the time function bridges the gaps between regular pulses (t_0 - t_2)

Technical data

Operating voltage	230 VDC +5 -15%
Initiator type/initiator voltage	P or N switched/24 VDC
Output voltage	250 V
Continuous current	4 A
Max. switching capacity (resistive load)	2000 VA
Contact	SPDT
Contact material	AgNi 0.15 gold-flashed
Mechanical service life	> 10 ⁷ switching operations
Time range	0.5...5 s

Coordination of insulation to VDE DIN 0160, draft11/94

Rated voltage	300 V
Rated surge voltage	4 kV
Overvoltage category	III
Contamination class	2
Clearance and creepage distance	mm (in.)
EMC	EN 50 081-1/50 082-2

Accessories and dimensions see page 365

Fig. VI