

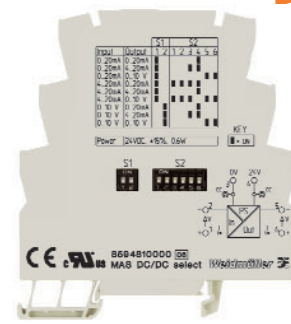
# DC/DC Signal Conditioner

**NEW**

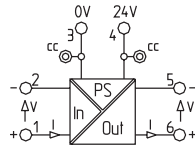
## MICROANALOG DC/DC select

- 3-way isolation between input, output and supply voltage
- DIP switch selectable
- Supply voltage cross-connectable
- Low heat dissipation

## DC/DC select



### Schematic circuit diagram



### Switch positions/setting options

Input	Output	S1		S2				KEY	
		1	2	1	2	3	4		5
0...20mA	0...20mA	■	■	■	■	■	■	■	■
0...20mA	4...20mA	■	■	■	■	■	■	■	■
0...20mA	0...10 V	■	■	■	■	■	■	■	■
4...20mA	0...20mA	■	■	■	■	■	■	■	■
4...20mA	4...20mA	■	■	■	■	■	■	■	■
4...20mA	0...10 V	■	■	■	■	■	■	■	■
0...10 V	0...20mA	■	■	■	■	■	■	■	■
0...10 V	4...20mA	■	■	■	■	■	■	■	■
0...10 V	0...10 V	■	■	■	■	■	■	■	■

### Ordering data

Screw connection	
Tension clamp connection	

### Type

MAS DC/DC select	<b>8594810000</b>
MAZ DC/DC select	<b>8594840000</b>

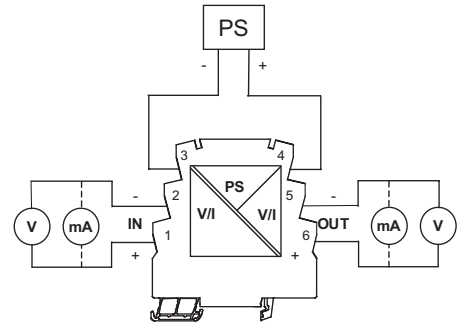
### Part No.

### Technical data\*

<b>Input</b> (selectable)	0...10 V/4...20 mA/ <b>0...20 mA (factory setting)</b>
Input resistance	< 0.1 V @ 20 mA 100 kOhm
Overload	< 100 mA max. 30 V, 3 mA
<b>Output</b> (selectable)	0...10 V/4...20 mA/ <b>0...20 mA (factory setting)</b>
Load resistance	< 500 Ohm > 10 kOhm
Residual ripple	< 20 mV <sub>eff</sub>
Accuracy	< 0.5% from end value
Temperature coefficient	< 150 ppm/degree from end value
Cut-off frequency	> 100 Hz

0...10 V/4...20 mA/ <b>0...20 mA (factory setting)</b>
< 0.1 V @ 20 mA 100 kOhm
< 100 mA max. 30 V, 3 mA
0...10 V/4...20 mA/ <b>0...20 mA (factory setting)</b>
< 500 Ohm > 10 kOhm
< 20 mV <sub>eff</sub>
< 0.5% from end value
< 150 ppm/degree from end value
> 100 Hz

### Connection

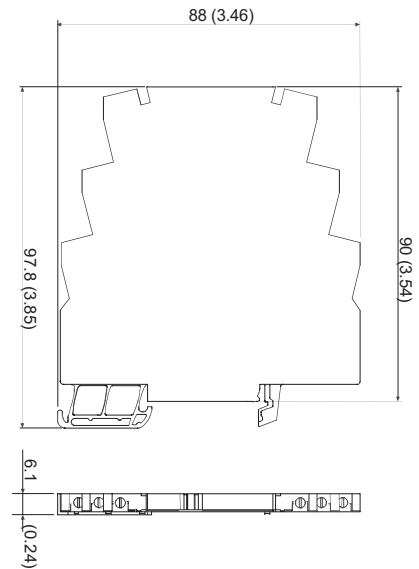


### General data

Supply voltage	24 VDC (±15%)
Power consumption	approx. 0.6 W
Operating temperature	0°C...+55°C
Storage temperature	-25°C...+85°C
Approvals	<b>CE</b> <b>e</b> <b>UL</b> CSA pending
Dimensions W/L/H	mm (in.) 6.1/88/98 (0.24/3.46/3.86)

### Dimensions mm (in.)

### Dimensions mm (in.)



### Coordination of insulation acc. to DIN EN50178, 04/98

Rated voltage	50 V
Rated surge voltage	500 V
Overvoltage category	II
Contamination class	2

### Rated voltage

### Rated surge voltage

### Overvoltage category

### Contamination class

### Accessories

Cross-connection, 2-pole, red	ZQV 4N/2 RT	<b>1793950000</b>
Cross-connection, 3-pole, red	ZQV 4N/3 RT	<b>1793980000</b>
Cross-connection, 4-pole, red	ZQV 4N/4 RT	<b>1794010000</b>
Cross-connection, 10-pole, red	ZQV 4N/10 RT	<b>1758260000</b>
Cross-connection, 41-pole, red	ZQV 4N/41 RT	<b>1758270000</b>
Cross-connection, 2-pole, blue	ZQV 4N/2 BL	<b>1793960000</b>
Cross-connection, 3-pole, blue	ZQV 4N/3 BL	<b>1793990000</b>
Cross-connection, 4-pole, blue	ZQV 4N/4 BL	<b>1794020000</b>
Cross-connection, 10-pole, blue	ZQV 4N/10 BL	<b>1794050000</b>
Cross-connection, 41-pole, blue	ZQV 4N/41 BL	<b>1794080000</b>

### Type

ZQV 4N/2 RT	<b>1793950000</b>
ZQV 4N/3 RT	<b>1793980000</b>
ZQV 4N/4 RT	<b>1794010000</b>
ZQV 4N/10 RT	<b>1758260000</b>
ZQV 4N/41 RT	<b>1758270000</b>
ZQV 4N/2 BL	<b>1793960000</b>
ZQV 4N/3 BL	<b>1793990000</b>
ZQV 4N/4 BL	<b>1794020000</b>
ZQV 4N/10 BL	<b>1794050000</b>
ZQV 4N/41 BL	<b>1794080000</b>

### Marking tags

WS12/6	<b>1061160000</b>
--------	-------------------

\* at 20°C ambient temperature