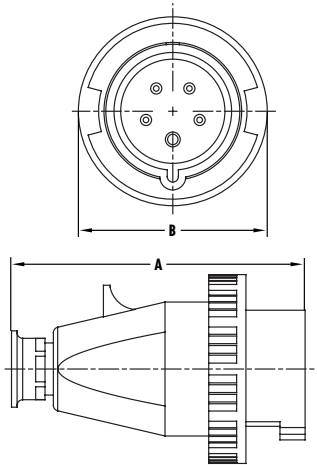


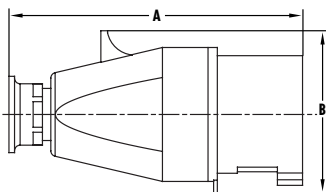
IEC 309 PIN & SLEEVE DEVICES • APPROXIMATE DIMENSIONS

WATERTIGHT PLUGS (IP67)



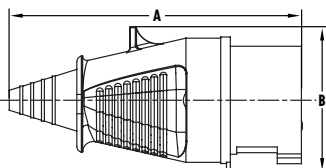
Amps		Type	Dimensions		Cord Grip Range		
N.A.	Intl.		A	B	N. American	International	
20	16	3 Wire	inch	4.96	2.83	0.275 - 0.530	0.275 - 0.530
			mm	126	72	7.0 - 13.5	7.0 - 13.5
20	16	4 Wire	inch	5.20	3.19	0.395 - 0.825	0.275 - 0.630
			mm	132	81	10.0 - 21.0	7.0 - 16.0
20	16	5 Wire	inch	5.20	3.46	0.395 - 0.825	0.275 - 0.630
			mm	132	88	10.0 - 21.0	7.0 - 16.0
30	32	3 Wire	inch	6.14	3.78	0.395 - 0.825	0.395 - 0.825
			mm	156	96	10.0 - 21.0	10.0 - 21.0
30	32	4 Wire	inch	6.14	3.78	0.650 - 1.10	0.395 - 0.825
			mm	156	96	16.5 - 28.0	10.0 - 21.0
30	32	5 Wire	inch	6.14	4.06	0.650 - 1.10	0.395 - 0.825
			mm	156	103	16.5 - 28.0	10.0 - 21.0
60	63	3, 4, & 5 Wire	inch	9.57	4.33	0.650 - 1.50	0.650 - 1.50
			mm	243	110	16.5 - 38.0	16.5 - 38.0
100	125	3, 4, & 5 Wire	inch	12.40	5.12	0.950 - 1.90	0.950 - 1.90
			mm	315	130	24.0 - 48.0	24.0 - 48.0

SPLASHPROOF PLUGS (IP44) (with cable gland)



Amps		Type	Dimensions		Cord Grip Range		
N.A.	Intl.		A	B	N. American	International	
20	16	3 Wire	inch	4.84	2.36	0.275 - 0.530	0.275 - 0.530
			mm	123	60	7.0 - 13.5	7.0 - 13.5
20	16	4 Wire	inch	5.16	2.68	0.395 - 0.825	0.275 - 0.630
			mm	131	68	10.0 - 21.0	7.0 - 16.0
20	16	5 & 7 Wire	inch	5.16	2.95	0.395 - 0.825	0.275 - 0.630
			mm	131	75	10.0 - 21.0	7.0 - 16.0
30	32	3 Wire	inch	6.10	3.11	0.395 - 0.825	0.395 - 0.825
			mm	155	79	10.0 - 21.0	10.0 - 21.0
30	32	4 Wire	inch	6.10	3.11	0.650 - 1.10	0.395 - 0.825
			mm	155	79	16.5 - 28.0	10.0 - 21.0
30	32	5 & 7 Wire	inch	6.10	3.46	0.650 - 1.10	0.395 - 0.825
			mm	155	88	16.5 - 28.0	10.0 - 21.0
60	63	3, 4, & 5 Wire	inch	9.45	3.82	0.650 - 1.50	0.650 - 1.50
			mm	240	97	16.5 - 38.0	16.5 - 38.0

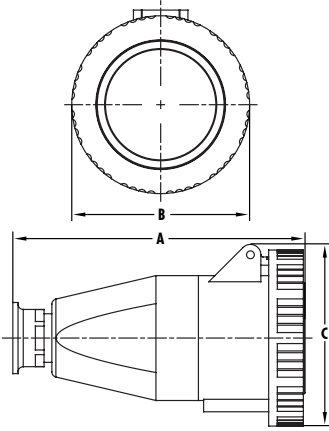
SPLASHPROOF PLUGS (IP44) (with cable sleeve)



Amps		Type	Dimensions		Cord Grip Range		
N.A.	Intl.		A	B	N. American	International	
20	16	3 Wire	inch	5.63	2.36	0.275 - 0.675	0.275 - 0.675
			mm	143	60	7.0 - 17.0	7.0 - 17.0
20	16	4 Wire	inch	5.79	2.68	0.315 - 0.800	0.315 - 0.800
			mm	147	68	8.0 - 20.0	8.0 - 20.0
20	16	5 & 7 Wire	inch	6.02	2.95	0.315 - 0.800	0.315 - 0.800
			mm	153	75	8.0 - 20.0	8.0 - 20.0
30	32	3 Wire	inch	7.13	3.11	0.590 - 0.950	0.435 - 0.950
			mm	181	79	15.0 - 24.0	11.0 - 24.0
30	32	4 Wire	inch	7.13	3.11	0.590 - 0.950	0.435 - 0.95
			mm	181	79	15.0 - 24.0	11.0 - 24.0
30	32	5 & 7 Wire	inch	7.13	3.46	0.590 - 0.950	0.435 - 0.95
			mm	181	88	15.0 - 24.0	11.0 - 24.0
60	63	3, 4, & 5 Wire	inch	9.92	3.82	0.635 - 1.30	0.600 - 1.30
			mm	252	97	16.0 - 33.0	15.0 - 33.0

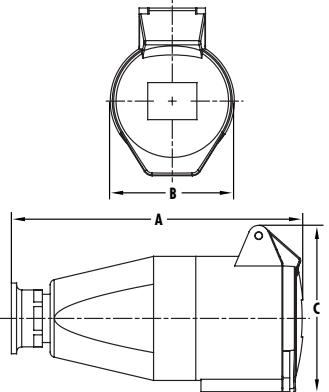
IEC 309 PIN & SLEEVE DEVICES • APPROXIMATE DIMENSIONS

WATERTIGHT CONNECTORS (IP67)



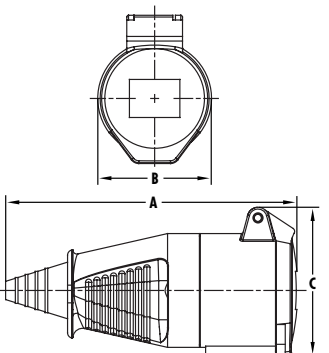
Amps	Dimensions		Cord Grip Range			
	N.A.	Intl.	N. American	International		
20	16	3 Wire	inch	5.35 2.83 3.07	0.275 - 0.530	0.275 - 0.530
			mm	136 72 78	7.0 - 13.5	7.0 - 13.5
20	16	4 Wire	inch	5.63 3.19 3.35	0.395 - 0.825	0.275 - 0.630
			mm	143 81 85	10.0 - 21.0	7.0 - 16.0
20	16	5 Wire	inch	5.63 3.46 3.58	0.395 - 0.825	0.275 - 0.630
			mm	143 88 91	10.0 - 21.0	7.0 - 16.0
30	32	3 Wire	inch	6.97 3.78 3.78	0.395 - 0.825	0.395 - 0.825
			mm	177 96 96	10.0 - 21.0	10.0 - 21.0
30	32	4 Wire	inch	6.97 3.78 3.78	0.650 - 1.10	0.395 - 0.825
			mm	177 96 96	16.5 - 28.0	10.0 - 21.0
30	32	5 Wire	inch	6.97 4.06 4.13	0.650 - 1.10	0.395 - 0.825
			mm	177 103 105	16.5 - 28.0	10.0 - 21.0
60	63	3, 4, & 5 Wire	inch	10.0 4.33 4.61	0.650 - 1.50	0.650 - 1.50
			mm	255 110 117	16.5 - 38.0	16.5 - 38.0
100	125	3, 4, & 5 Wire	inch	13.1 5.12 5.12	0.950 - 1.90	0.950 - 1.90
			mm	332 130 130	24.0 - 48.0	24.0 - 48.0

SPLASHPROOF CONNECTORS (IP44) (with cable gland)



Amps	Dimensions		Cord Grip Range			
	N.A.	Intl.	N. American	International		
20	16	3 Wire	inch	5.32 2.01 2.68	0.275 - 0.530	0.275 - 0.530
			mm	135 51 68	7.0 - 13.5	7.0 - 13.5
20	16	4 Wire	inch	5.95 2.56 3.35	0.395 - 0.825	0.275 - 0.630
			mm	151 65 85	10.0 - 21.0	7.0 - 16.0
20	16	5 & 7 Wire	inch	5.95 2.56 3.35	0.395 - 0.825	0.275 - 0.630
			mm	151 65 85	10.0 - 21.0	7.0 - 16.0
30	32	3 Wire	inch	6.73 2.83 3.58	0.395 - 0.825	0.395 - 0.825
			mm	171 72 91	10.0 - 21.0	10.0 - 21.0
30	32	4 Wire	inch	6.73 2.83 3.58	0.650 - 1.10	0.395 - 0.825
			mm	171 72 91	16.5 - 28.0	10.0 - 21.0
30	32	5 & 7 Wire	inch	6.73 2.83 3.86	0.650 - 1.10	0.395 - 0.825
			mm	171 72 98	16.5 - 28.0	10.0 - 21.0
60	63	3, 4, & 5 Wire	inch	10.0 3.78 4.49	0.650 - 1.50	0.650 - 1.50
			mm	255 96 114	16.5 - 38.0	16.5 - 38.0

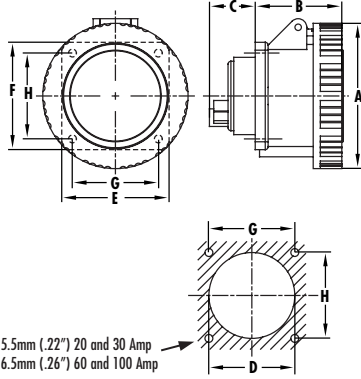
SPLASHPROOF CONNECTORS (IP44) (with cable sleeve)



Amps	Dimensions		Cord Grip Range			
	N.A.	Intl.	N. American	International		
20	16	3 Wire	inch	6.06 2.01 2.69	0.275 - 0.675	0.275 - 0.675
			mm	154 51 68.4	7.0 - 17.0	7.0 - 17.0
20	16	4 Wire	inch	6.54 2.56 2.97	0.315 - 0.800	0.315 - 0.800
			mm	166 65 75.4	8.0 - 20.0	8.0 - 20.0
20	16	5 & 7 Wire	inch	6.54 2.56 3.29	0.315 - 0.800	0.315 - 0.800
			mm	166 65 83.5	8.0 - 20.0	8.0 - 20.0
30	32	3 Wire	inch	7.72 2.83 3.54	0.590 - 0.950	0.435 - 0.950
			mm	196 72 90	15.0 - 24.0	11.0 - 24.0
30	32	4 Wire	inch	7.72 2.83 3.54	0.590 - 0.950	0.435 - 0.95
			mm	196 72 90	15.0 - 24.0	11.0 - 24.0
30	32	5 & 7 Wire	inch	7.72 2.83 3.78	0.590 - 0.950	0.435 - 0.95
			mm	196 72 96	15.0 - 24.0	11.0 - 24.0
60	63	3, 4, & 5 Wire	inch	10.5 3.78 4.41	0.635 - 1.30	0.600 - 1.30
			mm	266 96 112	16.0 - 33.0	15.0 - 33.0

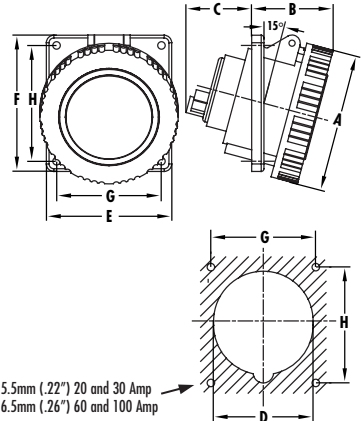
IEC 309 PIN & SLEEVE DEVICES • APPROXIMATE DIMENSIONS

WATERTIGHT RECEPTACLE (IP67) (Straight)



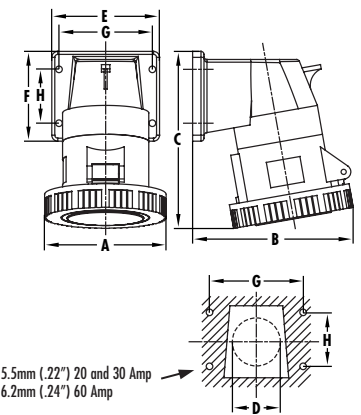
Amps		Type	Dimensions									
N.A.	Intl.		A	B	C	D	E	F	G	H		
20	16	3 Wire	inch	2.82	2.05	1.10	1.81	2.44	2.44	1.85	1.85	
			mm	71.5	52	28	46	62	62	47	47	
20	16	4 Wire	inch	31.9	2.05	1.10	2.36	2.95	2.95	2.36	2.36	
			mm	81	52	28	60	75	75	60	60	
20	16	5 Wire	inch	3.46	2.05	1.10	2.36	2.95	2.95	2.36	2.36	
			mm	88	52	28	60	75	75	60	60	
30	32	3 & 4 Wire	inch	3.78	2.56	1.06	2.36	2.95	2.95	2.36	2.36	
			mm	96	65	27	60	75	75	60	60	
30	32	5 Wire	inch	4.06	2.56	1.06	2.36	2.95	2.95	2.36	2.36	
			mm	103	65	27	60	75	75	60	60	
60	63	3, 4, & 5 Wire	inch	4.29	3.27	2.05	3.54	3.94	4.21	3.03	3.35	
			mm	109	83	52	90	100	107	77	85	
100	125	3, 4, & 5 Wire	inch	5.12	3.78	2.52	3.54	4.49	4.49	3.54	3.54	
			mm	130	96	64	90	114	114	90	90	

WATERTIGHT RECEPTACLE (IP67) (Angled 15°)



Amps		Type	Dimensions									
N.A.	Intl.		A	B	C	D	E	F	G	H		
20	16	3 Wire	inch	2.82	1.93	1.61	2.01	2.44	2.68	1.85	1.85	
			mm	71.5	49	41	51	62	68	47	47	
20	16	4 Wire	inch	3.19	2.05	1.50	2.87	3.62	3.94	3.03	3.35	
			mm	81	52	38	73	92	100	77	85	
20	16	5 Wire	inch	3.46	2.05	1.50	2.87	3.62	3.94	3.03	3.35	
			mm	88	52	38	73	92	100	77	85	
30	32	3 & 4 Wire	inch	3.78	2.20	1.85	2.87	3.62	3.94	3.03	3.35	
			mm	96	56	47	73	92	100	77	85	
30	32	5 Wire	inch	4.06	2.36	1.85	2.87	3.62	3.94	3.03	3.35	
			mm	103	60	47	73	92	100	77	85	
60	63	3, 4, & 5 Wire	inch	4.29	3.23	2.52	3.19	3.94	4.21	3.03	3.35	
			mm	109	82	64	81	100	107	77	85	
100	125	3, 4, & 5 Wire	inch	5.12	3.70	2.95	3.54	4.49	4.49	3.54	3.54	
			mm	130	94	75	90	114	114	90	90	

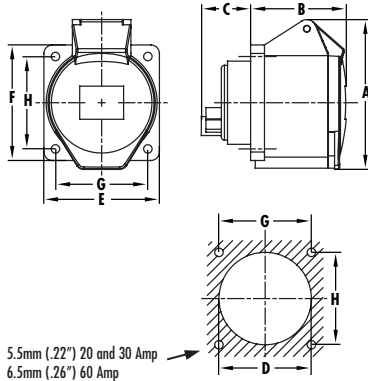
WATERTIGHT RECEPTACLE (IP67) (Angled 80°)



Amps		Type	Dimensions								
N.A.	Intl.		A	B	C	D max	E	F	G	H	
20	16	3 Wire	inch	2.83	3.46	4.29	1.18	2.56	2.05	2.17	1.18
			mm	72	88	109	30	65	52	55	30
20	16	4 Wire	inch	3.19	4.25	4.84	1.50	3.15	2.60	2.68	1.57
			mm	81	108	123	38	80	66	68	40
20	16	5 Wire	inch	3.46	4.25	4.84	1.50	3.15	2.60	2.68	1.57
			mm	88	108	123	38	80	66	68	40
30	32	3 & 4 Wire	inch	3.78	4.76	5.71	1.73	3.54	2.95	3.07	1.77
			mm	96	121	145	44	90	75	78	45
30	32	5 Wire	inch	4.06	4.84	5.71	1.73	3.54	2.95	3.07	1.77
			mm	103	123	145	44	90	75	78	45
60	63	3, 4, & 5 Wire	inch	4.33	5.63	7.99	2.20	4.49	4.49	3.54	3.54
			mm	110	143	203	56	114	114	90	90

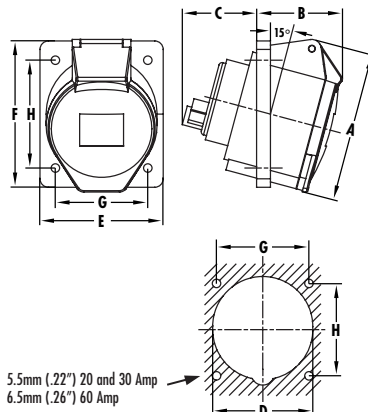
IEC 309 PIN & SLEEVE DEVICES • APPROXIMATE DIMENSIONS

SPLASHPROOF RECEPTACLES (IP44) (Straight)



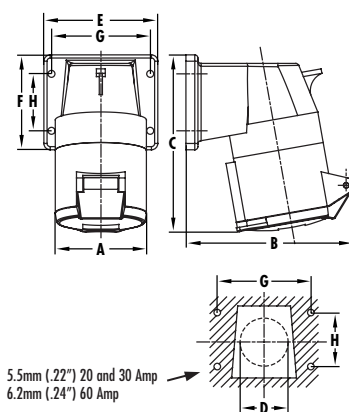
Amps			Dimensions								
N.A.	Intl.	Type	A	B	C	D	E	F	G	H	
20	16	3 Wire	inch	2.68	2.05	1.10	1.81	2.44	2.44	1.85	1.85
			mm	68	52	28	46	62	62	47	47
20	16	4 & 5 Wire	inch	3.35	2.09	1.10	2.36	2.95	2.95	2.36	2.36
			mm	85	53	28	60	75	75	60	60
20	16	7 Wire	inch	3.35	2.09	1.10	2.36	3.15	3.15	2.36	2.36
			mm	85	53	28	60	80	80	60	60
30	32	3 & 4 Wire	inch	3.58	2.56	1.06	2.36	2.95	2.95	2.36	2.36
			mm	91	65	27	60	75	75	60	60
30	32	5 Wire	inch	3.86	2.56	1.06	2.36	2.95	2.95	2.36	2.36
			mm	98	65	27	60	75	75	60	60
30	32	7 Wire	inch	3.86	2.56	1.06	2.36	3.15	3.15	2.36	2.36
			mm	98	65	27	60	80	80	60	60
60	63	3, 4, & 5 Wire	inch	4.49	3.35	2.05	3.54	3.94	4.21	3.03	3.35
			mm	114	85	52	90	100	107	77	85

SPLASHPROOF RECEPTACLE (IP44) (Angled 15°)



Amps			Dimensions								
N.A.	Intl.	Type	A	B	C	D	E	F	G	H	
20	16	3 Wire	inch	2.68	1.77	1.61	2.01	2.44	2.68	1.85	1.85
			mm	68	45	41	51	62	68	47	47
20	16	4 Wire	inch	3.35	2.01	1.50	2.36	2.95	2.95	2.36	2.36
			mm	85	51	38	60	75	75	60	60
20	16	5 Wire	inch	3.35	2.01	1.50	2.56	2.95	3.35	2.36	2.36
			mm	85	51	38	65	75	85	60	60
30	32	3 Wire	inch	3.58	2.05	1.85	2.64	2.95	3.54	2.36	2.36
			mm	91	52	47	67	75	90	60	60
30	32	4 Wire	inch	3.85	2.05	1.85	2.64	2.95	3.54	2.36	2.36
			mm	91	52	47	67	75	90	60	60
30	32	5 Wire	inch	3.86	2.20	1.85	2.70	3.15	3.74	2.36	2.36
			mm	98	56	47	68.5	80	95	60	60
60	63	3, 4, & 5 Wire	inch		3.11	2.52	3.19	3.94	4.21	3.03	3.35
			mm		79	64	81	100	107	77	85

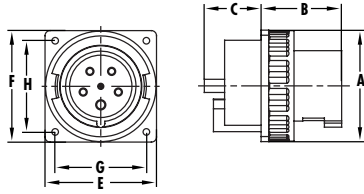
SPLASHPROOF RECEPTACLE (IP44) (Angled 80°)



Amps			Dimensions								
N.A.	Intl.	Type	A	B	C	D max	E	F	G	H	
20	16	3 Wire	inch	2.01	3.43	4.57	1.18	2.56	2.05	2.17	1.18
			mm	51	87	116	30	65	52	55	30
20	16	4 Wire	inch	2.56	4.33	4.80	1.50	3.15	2.60	2.68	1.57
			mm	65	110	122	38	80	66	68	40
20	16	5 & 7 Wire	inch	2.56	4.33	4.80	1.50	3.15	2.60	2.68	1.57
			mm	65	110	122	38	80	66	68	40
30	32	3 Wire	inch	2.83	4.72	5.55	1.73	3.54	2.95	3.07	1.77
			mm	72	120	141	44	90	75	78	45
30	32	4 Wire	inch	2.83	4.72	5.55	1.73	3.54	2.95	3.07	1.77
			mm	72	120	141	44	90	75	78	45
30	32	5 & 7 Wire	inch	2.83	4.88	5.59	1.73	3.54	2.95	3.07	1.77
			mm	72	124	142	44	90	75	78	45
60	63	3, 4, & 5 Wire	inch	3.78	5.51	7.64	2.20	4.49	4.49	3.54	3.54
			mm	96	140	194	56	114	114	90	90

IEC 309 PIN & SLEEVE DEVICES • APPROXIMATE DIMENSIONS

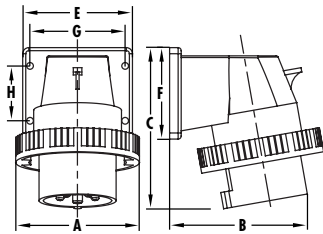
WATERTIGHT INLETS (IP67) (Straight)



6.5mm (.26") 60 and 100 Amp

Amps			Dimensions								
N.A.	Intl.	Type	A	B	C	D	E	F	G	H	
100	125	3 Wire	inch	5.12	3.70	2.20	3.54	5.12	5.12	4.09	4.09
			mm	130	94	56	90	130	130	104	104
100	125	4 Wire	inch	5.12	3.70	2.20	3.54	5.12	5.12	4.09	4.09
			mm	130	94	56	90	130	130	104	104
100	125	5 Wire	inch	5.12	3.70	2.20	3.54	5.12	5.12	4.09	4.09
			mm	130	94	56	90	130	130	104	104

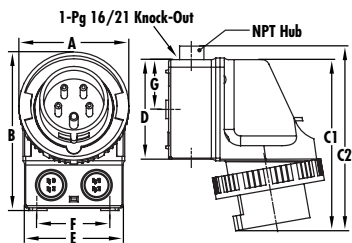
WATERTIGHT INLETS (IP67) (Angled 80°)



5.5mm (.22") 20 and 30 Amp
6.2mm (.24") 60 and 100 Amp

Amps			Dimensions								
N.A.	Intl.	Type	A	B	C	D (max)	E	F	G	H	
20	16	3 Wire	inch	2.83	3.19	3.86	1.18	2.56	2.05	2.17	1.18
			mm	72	81	98	30	65	52	55	30
20	16	4 Wire	inch	3.19	3.90	4.33	1.50	3.15	2.60	2.68	1.57
			mm	81	99	110	38	80	66	68	40
20	16	5 Wire	inch	3.50	4.06	4.45	1.50	3.15	2.60	2.68	1.57
			mm	89	103	113	38	80	66	68	40
30	32	3 Wire	inch	3.78	4.45	5.12	1.73	3.54	2.95	3.07	1.77
			mm	96	113	130	44	90	75	78	45
30	32	4 Wire	inch	3.78	4.45	5.12	1.73	3.54	2.95	3.07	1.77
			mm	96	113	130	44	90	75	78	45
30	32	5 Wire	inch	4.02	4.61	5.12	1.73	3.54	2.95	3.07	1.77
			mm	102	117	130	44	90	75	78	45
60	63	3, 4, & 5 Wire	inch	4.33	5.00	7.20	2.20	4.49	4.49	3.54	3.54
			mm	110	127	183	56	114	114	90	90

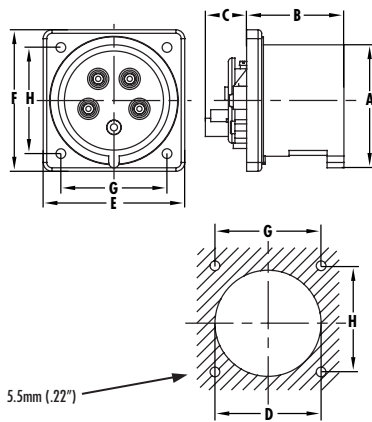
WATERTIGHT INLETS (IP67) (Surface Mount, Angled 80°)



Amps			Dimensions									Hub Size*
N.A.	Intl.	Type	A	B	C ¹	C ²	D	E	F	G		
20	16	3 Wire	inch	2.83	5.51	6.06	6.73	3.78	3.74	2.62	1.87	3/4"
			mm	72	140	154	171	96	95	66.5	47.5	
20	16	4 Wire	inch	3.19	5.51	6.06	6.73	3.78	3.74	2.62	1.87	3/4"
			mm	81	140	154	171	96	95	66.5	47.5	
20	16	5 Wire	inch	3.46	5.51	6.06	6.73	3.78	3.74	2.62	1.87	3/4"
			mm	88	140	154	171	96	95	66.5	47.5	
30	32	3 Wire	inch	3.78	5.79	6.46	7.13	3.78	3.74	2.62	1.87	3/4"
			mm	96	147	164	181	96	95	66.5	47.5	
30	32	4 Wire	inch	3.78	5.79	6.46	7.13	3.78	3.74	2.62	1.87	3/4"
			mm	96	147	164	181	96	95	66.5	47.5	
30	32	5 Wire	inch	4.06	5.91	6.46	7.13	3.78	3.74	2.62	1.87	3/4"
			mm	103	150	164	181	96	95	66.5	47.5	

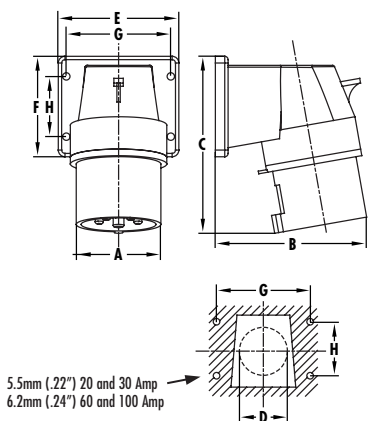
IEC 309 PIN & SLEEVE DEVICES • APPROXIMATE DIMENSIONS

SPLASHPROOF INLETS (IP44) (Straight)



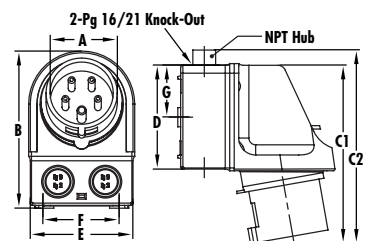
Amps			Dimensions									
N.A.	Intl.	Type	A	B	C	D	E	F	G	H		
20	16	3 Wire	inch	1.85	1.85	0.87	1.97	2.44	2.44	1.85	1.85	
			mm	47	47	22	50	62	62	47	47	
20	16	4 Wire	inch	2.09	1.85	0.87	2.64	3.15	3.15	2.36	2.36	
			mm	53	47	22	67	80	80	60	60	
20	16	5 & 7 Wire	inch	2.40	1.85	0.87	2.64	3.15	3.15	2.36	2.36	
			mm	61	47	22	67	80	80	60	60	
30	32	3 Wire	inch	2.48	2.20	0.87	2.80	3.15	3.15	2.36	2.36	
			mm	63	56	22	71	80	80	60	60	
30	32	4 Wire	inch	2.48	2.20	0.87	2.80	3.15	3.15	2.36	2.36	
			mm	63	56	22	71	80	80	60	60	
30	32	5 & 7 Wire	inch	2.72	2.20	0.87	2.80	3.15	3.15	2.36	2.36	
			mm	69	56	22	71	80	80	60	60	
60	63	5 Wire	inch	2.99	3.27	1.14	3.39	4.17	4.33	3.54	3.54	
			mm	76	83	29	86	106	110	90	90	

SPLASHPROOF INLETS (IP44) (Angled 80°)



Amps			Dimensions									
N.A.	Intl.	Type	A	B	C	D (max)	E	F	G	H		
20	16	3 Wire	inch	1.71	2.83	3.82	1.18	2.56	2.05	2.17	1.18	
			mm	43.5	72	97	30	65	52	55	30	
20	16	4 Wire	inch	1.97	3.54	4.33	1.50	3.15	2.60	2.68	1.57	
			mm	50	90	110	38	80	66	68	40	
20	16	5 & 7 Wire	inch	2.20	3.62	4.33	1.50	3.15	2.60	2.68	1.57	
			mm	56	92	110	38	80	66	68	40	
30	32	3 Wire	inch	2.24	4.06	5.08	1.73	3.54	2.95	3.07	1.77	
			mm	57	103	129	44	90	75	78	45	
30	32	4 Wire	inch	2.24	4.06	5.08	1.73	3.54	2.95	3.07	1.77	
			mm	57	103	129	44	90	75	78	45	
30	32	5 & 7 Wire	inch	2.52	4.06	5.08	1.73	3.54	2.95	3.07	1.77	
			mm	64	103	129	44	90	75	78	45	
60	63	3, 4, & 5 Wire	inch	2.72	4.57	7.28	2.20	4.49	4.49	3.54	3.54	
			mm	69	116	185	56	114	114	90	90	

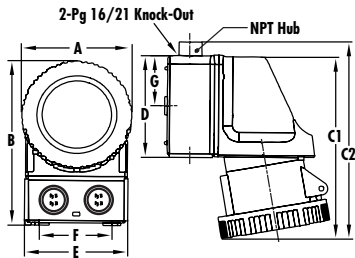
SPLASHPROOF INLETS (IP44) (Surface Mount, Angled 80°)



Amps			Dimensions								Hub Size*	
N.A.	Intl.	Type	A	B	C ¹	C ²	D	E	F	G		
20	16	4 Wire	inch	1.97	5.51	5.95	6.61	3.78	3.74	2.62	1.87	3/4"
			mm	50	140	151	168	96	95	66.5	47.5	
20	16	5 & 7 Wire	inch	2.20	5.51	5.95	6.61	3.78	3.74	2.62	1.87	3/4"
			mm	56	140	151	168	96	95	66.5	47.5	
30	32	3 Wire	inch	2.24	5.51	6.30	6.97	3.78	3.74	2.62	1.87	3/4"
			mm	57	140	160	177	96	95	66.5	47.5	
30	32	4 Wire	inch	2.24	5.51	6.30	6.97	3.78	3.74	2.62	1.87	3/4"
			mm	57	140	160	177	96	95	66.5	47.5	
30	32	5 & 7 Wire	inch	2.52	5.51	6.30	6.97	3.78	3.74	2.62	1.87	3/4"
			mm	64	140	160	177	96	95	66.5	47.5	

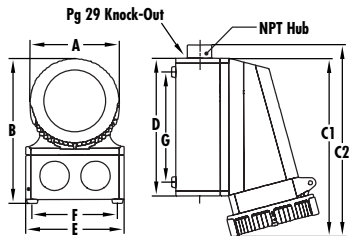
IEC 309 PIN & SLEEVE DEVICES • APPROXIMATE DIMENSIONS

WATERTIGHT RECEPTACLES (IP67) (Surface Mount, Angled 80°)



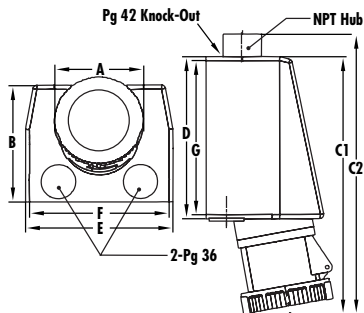
Amps		Type	Dimensions								Hub Size*	
N.A.	Intl.		A	B	C ¹	C ²	D	E	F	G		
20	16	3 Wire	inch	2.83	5.51	6.46	7.13	3.78	3.74	2.62	1.87	3/4"
			mm	72	140	164	181	96	95	66.5	47.5	
		4 Wire	inch	3.19	5.67	6.46	7.13	3.78	3.74	2.62	1.87	3/4"
mm	81		144	164	181	96	95	66.5	47.5			
30	32	3 Wire	inch	3.46	5.79	6.46	7.13	3.78	3.74	2.62	1.87	3/4"
			mm	88	147	164	181	96	95	66.5	47.5	
		4 Wire	inch	3.78	6.06	6.93	7.60	3.78	3.74	2.62	1.87	3/4"
mm	96		154	176	193	96	95	66.5	47.5			
5 Wire		inch	4.06	6.14	6.93	7.60	3.78	3.74	2.62	1.87	3/4"	
		mm	103	156	176	193	96	95	66.5	47.5		

WATERTIGHT RECEPTACLES (IP67) (Surface Mount, Angled 80°)



Amps		Type	Dimensions								Hub Size*	
N.A.	Intl.		A	B	C ¹	C ²	D	E	F	G		
60	63	4 Wire	inch	4.33	7.01	8.82	9.76	6.77	4.76	4.09	5.35	1 1/4"
			mm	110	178	224	248	172	121	104	136	
		5 Wire	inch	4.33	7.01	8.82	9.76	6.77	4.76	4.09	5.35	1 1/4"
			mm	110	178	224	248	172	121	104	136	

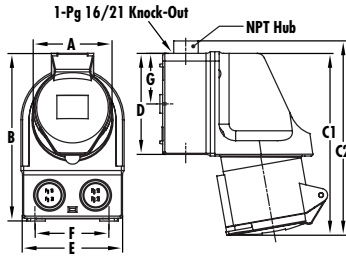
WATERTIGHT RECEPTACLES (IP67) (Surface Mount, Angled 80°)



Amps		Type	Dimensions								Hub Size*	
N.A.	Intl.		A	B	C ¹	C ²	D	E	F	G		
100	125	3 Wire	inch	5.12	7.48	16.0	16.9	10.4	8.66	7.87	9.45	2"
			mm	130	190	406	430	263	220	200	240	
		4 Wire	inch	5.12	7.48	16.0	16.9	10.4	8.66	7.87	9.45	2"
			mm	130	190	406	430	263	220	200	240	
		5 Wire	inch	5.12	7.48	16.0	16.9	10.4	8.66	7.87	9.45	2"
			mm	130	190	406	430	263	220	200	240	

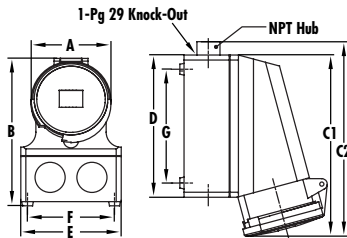
IEC 309 PIN & SLEEVE DEVICES • APPROXIMATE DIMENSIONS

SPLASHPROOF RECEPTACLES (IP44) (Surface Mount, Angled 80°)



Amps		Type	Dimensions									Hub Size*
N.A.	Intl.		A	B	C ¹	C ²	D	E	F	G		
20	16	3 Wire	inch	2.01	5.51	6.30	6.97	3.78	3.74	2.62	1.87	3/4"
			mm	51	140	160	177	96	95	66.5	47.5	
20	16	4 Wire	inch	2.56	5.63	6.46	7.13	3.78	3.74	2.62	1.87	3/4"
			mm	65	143	164	181	96	95	66.5	47.5	
20	16	5 & 7 Wire	inch	2.56	5.75	6.46	7.13	3.78	3.74	2.62	1.87	3/4"
			mm	65	146	164	181	96	95	66.5	47.5	
30	32	3 Wire	inch	2.83	6.06	6.81	7.48	3.78	3.74	2.62	1.87	3/4"
			mm	72	154	173	190	96	95	66.5	47.5	
30	32	4 Wire	inch	2.83	6.06	6.81	7.48	3.78	3.74	2.62	1.87	3/4"
			mm	72	154	173	190	96	95	66.5	47.5	
30	32	5 & 7 Wire	inch	2.83	6.18	6.81	7.48	3.78	3.74	2.62	1.87	3/4"
			mm	72	157	173	190	96	95	66.5	47.5	

SPLASHPROOF RECEPTACLES (IP44) (Surface Mount, Angled 80°)



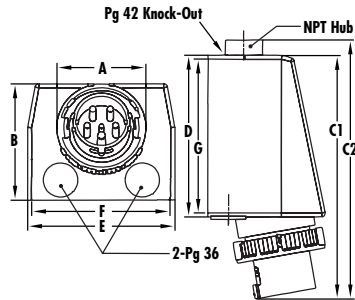
Amps		Type	Dimensions									Hub Size*
N.A.	Intl.		A	B	C ¹	C ²	D	E	F	G		
60	63	4 Wire	inch	3.78	7.01	8.66	9.61	6.77	4.76	4.09	5.35	1 1/4"
			mm	96	178	220	244	172	121	104	136	
60	63	5 Wire	inch	3.78	7.01	8.66	9.61	6.77	4.76	4.09	5.35	1 1/4"
			mm	96	178	220	244	172	121	104	136	



Need a specific print? Call us, we can help!

IEC 309 PIN & SLEEVE DEVICES • APPROXIMATE DIMENSIONS

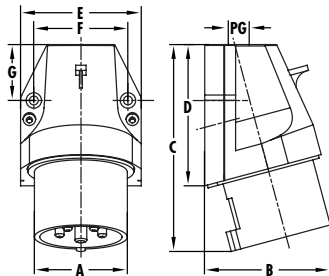
WATERTIGHT INLET (IP67) (Surface Mount, Angled 80°)



Amps N.A.	Intl.	Type	Dimensions									Hub Size*
			A	B	C ¹	C ²	D	E	F	G		
60	63	3 Wire	inch	4.33	4.65	9.13	10.1	5.98	4.65	4.17	4.72	1 1/4"
			mm	110	118	232	256	152	118	106	120	
60	63	4 Wire	inch	4.33	4.65	9.13	10.1	5.98	4.65	4.17	4.72	1 1/4"
			mm	110	118	232	256	152	118	106	120	
60	63	5 Wire	inch	4.33	4.65	9.13	10.1	5.98	4.65	4.17	4.72	1 1/4"
			mm	110	118	232	256	152	118	106	120	
100	125	3 Wire	inch	5.12	6.89	15.4	16.3	10.4	8.66	7.87	9.45	2"
			mm	130	175	390	414	263	220	200	240	
100	125	4 Wire	inch	5.12	6.89	15.4	16.3	10.4	8.66	7.87	9.45	2"
			mm	130	175	390	414	263	220	200	240	
100	125	5 Wire	inch	5.12	6.89	15.4	16.3	10.4	8.66	7.87	9.45	2"
			mm	130	175	390	414	263	220	200	240	

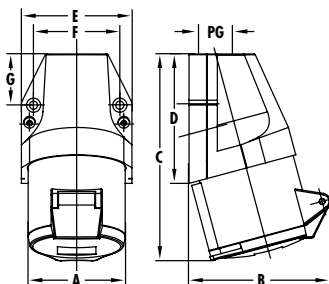
Note: Two (2) PG36 knock-outs are on the bottom of the 100/125 amp device only.

SPLASHPROOF INLET (IP44) (Surface Mount, Angled 80°)



Amps N.A.	Intl.	Type	Dimensions								
			A	B	C	D	E	F	G	PG	
16	3 Wire	inch	1.71	2.36	4.33	2.91	2.36	1.79	1.10		
		mm	43.5	60	110	74	60	45.5	28	13.5	
16	4 Wire	inch	1.97	2.87	4.61	3.15	2.91	2.36	1.22		
		mm	50	73	117	80	74	60	31	16	
16	5 & 7 Wire	inch	2.20	2.87	4.61	3.15	2.91	2.36	1.22		
		mm	56	73	117	80	74	60	31	16	
32	3 Wire	inch	2.24	3.15	5.55	3.82	3.23	2.36	1.77		
		mm	57	80	141	97	82	60	45	21	
32	4 Wire	inch	2.24	3.15	5.55	3.82	3.23	2.36	1.77		
		mm	57	80	141	97	82	60	45	21	
32	5 & 7 Wire	inch	2.52	3.39	5.55	3.82	3.23	2.36	1.77		
		mm	64	86	141	97	82	60	45	21	

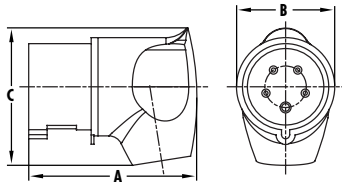
SPLASHPROOF RECEPTACLE (IP44) (Surface Mount, Angled 80°)



Amps N.A.	Intl.	Type	Dimensions								
			A	B	C	D	E	F	G	PG	
16	3 Wire	inch	2.68	2.95	4.72	2.91	2.36	1.79	1.10		
		mm	68	75	120	74	60	45.5	28	13.5	
16	4 Wire	inch	3.35	3.39	5.04	3.15	2.91	2.36	1.22		
		mm	85	86	128	80	74	60	31	16	
16	5 & 7 Wire	inch	3.35	3.54	5.08	3.15	2.91	2.36	1.22		
		mm	85	90	129	80	74	60	31	16	
32	3 Wire	inch	3.58	4.06	6.06	3.82	3.23	2.36	1.77		
		mm	91	103	154	97	82	60	45	21	
32	4 Wire	inch	3.58	4.06	6.06	3.82	3.23	2.36	1.77		
		mm	91	103	154	97	82	60	45	21	
32	5 & 7 Wire	inch	3.86	4.13	6.10	3.82	3.23	2.36	1.77		
		mm	98	105	155	97	82	60	45	21	

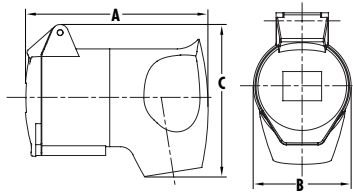
IEC 309 PIN & SLEEVE DEVICES • APPROXIMATE DIMENSIONS

SPLASHPROOF PLUG (IP44) (Angled)



Amps		Type	Dimensions			Cord Grip Range	
N.A.	Intl.		A	B	C		
20	16	3 Wire	inch	3.31	1.98	2.66	0.315 - 0.590
			mm	84	50.3	67.5	8.0 - 15.0
20	16	4 Wire	inch	3.98	2.53	3.32	0.395 - 0.650
			mm	101	64.3	84.2	10.0 - 16.5
20	16	5 Wire	inch	3.98	2.53	3.39	0.395 - 0.650
			mm	101	64.3	86	10.0 - 16.5
30	32	3 Wire	inch	4.53	2.83	3.76	0.435 - 0.865
			mm	115	72	95.5	11.0 - 22.0
30	32	4 Wire	inch	4.53	2.83	3.76	0.435 - 0.865
			mm	115	72	95.5	11.0 - 22.0
30	32	5 Wire	inch	4.53	2.83	3.96	0.435 - 0.865
			mm	115	72	100.5	11.0 - 22.0

SPLASHPROOF CONNECTOR (IP44) (Angled)



Amps		Type	Dimensions			Cord Grip Range	
N.A.	Intl.		A	B	C		
20	16	3 Wire	inch	3.74	1.98	3.15	0.315 - 0.510
			mm	95	50.3	80	8.0 - 13.0



Precision manufacturing aided by C.N.C. technology.