

Data sheet

750-833

PROFIBUS DP/V1 PROGRAMMABLE FIELDBUS CONTROLLER 12 MBaud CARRIER RAIL DIN 35 CAGE CLAMP CONNECTION



Technical data

Package size 1 piece.

Max. no. of nodes	96 with repeater
Max. no. Of I/O points	ca. 6000 (depends on Master)
Transmission medium	Cu-cable acc. to EN 50170
Max. length of fieldbus segment	100 m ... 1200 m (depends on the baud rate / on the cable)
Baud rate	9.6 kBaud ... 12 Mbaud
Transmission time	TYP. 1 MS (10 NODES; 32 IS, 32 OS PER NODE; AT 12 MBAUD AND DIGITAL SIGNALS)
Buscoupler connection	1 x D-SUB 9; socket
Programming	WAGO-I/O-PRO 32
IEC 61131-3	AWL, KOP, PUP, ST, AS
UL 508	E175199, UL 508
Standard	EN 50170
Conformity marking	CE
Max. no. of I/O modules	63
Max. fieldbus input image (Byte)	244 Byte
Max. fieldbus output image (Byte)	244 Byte
Input variables	244 Byte
Output variables	244 Byte
Configuration	automatic
Program memory	128 kByte
Data memory	64 kByte
Non-volatile memory (retain)	8 kByte

Data sheet

750-833

PROFIBUS DP/V1 PROGRAMMABLE FIELDBUS CONTROLLER 12 MBaud CARRIER RAIL DIN 35 CAGE CLAMP CONNECTION

Cycle time	< 3 ms for 1000 statements / 256 dig. I/O's
Voltage supply	DC 24 V (-25% / + 30%)
Input current (max)	500 mA
Efficiency of the power supply	87 %
Internal current consumption	200 mA
Total current for the I/O modules	1800 mA
Isolation	500 V system / supply
Voltage via power jumper contacts (max)	DC 24 V (-25% / + 30%)
Current via power jumper contacts (max)	DC 10 A
Operating temperature	0 °C ... + 55 °C
Storage temperature	-25 °C ... +85 °C
Relative air humidity	95 %
Vibration resistance	acc. IEC 60068-2-6
Shock resistance	acc. IEC 60068-2-27
Degree of protection	IP 20
EMC immunity to interference	acc. EN 50082-2 (96)
EMC emission of interference	acc. EN 50081-2 (94)
EMC marine applications - noise proof	gem. Germanischer Lloyd (1997)
EMC marine applications - noise transmission	gem. Germanischer Lloyd (1997)
Cross section from [mm ²]	0.08 mm ²
Cross section to [mm ²]	2.5 mm ²
Cross section from [AWG]	28 AWG
Cross section to [AWG]	14 AWG
Weight	200 g
Color	light gray
Height	65 mm
Height	2.56 in
Width	51 mm
Width	2.008 in
Depth	100 mm
Depth	3.937 in
Strip length from	8 mm
Strip length to	9 mm
Strip length	0.33 in
Manuals	

Data sheet

750-833

**PROFIBUS DP/V1 PROGRAMMABLE FIELDBUS CONTROLLER 12 MBaud
CARRIER RAIL DIN 35 CAGE CLAMP CONNECTION**

Approval	Voltage	Current	Approval number	Notes
BV			13453/A0BV	
cULus	24		E175199	
DNV			A-8471	
GL			40197-01HH	
LR			02/20036	
Rina			MAC30402CS1	

Data sheet

750-833

PROFIBUS DP/V1 PROGRAMMABLE FIELD BUS CONTROLLER 12 MBaud CARRIER RAIL DIN 35 CAGE CLAMP CONNECTION

Accessories	Item number
ALUMINUM CARRIER RAIL 35 X 7.5 MM, 1.5 MM / 0.059 IN THICK	210-196
COMMUNICATION CABLE	750-920
COPPER CARRIER RAIL 35 X 15 MM, 2.3 MM / 0.091 IN THICK	210-198
END MODULE CARRIER RAIL DIN 35	750-600
Individual wire jumpers	individual jumper
IP65 ENCLOSURE SHEET STEEL	850-811
IP65 ENCLOSURE SHEET STEEL	850-812
IP65 ENCLOSURE SHEET STEEL	850-813
MARKERS FOR GROUP MARKER CARRIERS MARKER CARD DIN A4 (160 MARKERS)	750-100
MINIATURE WSB QUICK MARKING STRIPS PLAIN	248-501
MINIATURE WSB QUICK MARKING STRIPS PLAIN	248-501/000-002
MINIATURE WSB QUICK MARKING STRIPS PLAIN	248-501/000-005
MINIATURE WSB QUICK MARKING STRIPS PLAIN	248-501/000-006
MINIATURE WSB QUICK MARKING STRIPS PLAIN	248-501/000-007
MINIATURE WSB QUICK MARKING STRIPS PLAIN	248-501/000-012
MINIATURE WSB QUICK MARKING STRIPS PLAIN	248-501/000-017
MINIATURE WSB QUICK MARKING STRIPS PLAIN	248-501/000-023
MINIATURE WSB QUICK MARKING STRIPS PLAIN	248-501/000-024
Open individual wire jumpers ends	individual jumper open end
POWER SUPPLY PASSIVE	750-613
POWER SUPPLY UNIT PRIMARY TRIGGERED	787-903
POWER SUPPLY UNIT PRIMARY TRIGGERED	787-904
POWER SUPPLY UNIT PRIMARY TRIGGERED	787-912
PROFIBUS FIELD BUS PLUG WITH D-SUB-PLUG	750-960
PROFIBUS FIELD BUS PLUG WITH D-SUB FEMALE AND MALE CONNECTOR	750-970
PROFINET IO FIELD BUS COUPLER 100 Mbit	750-340
PROFINET PROGRAMMABLE FIELD BUS CONTROLLER 100 Mbit	750-840
RAIL-MOUNTED MODULES - POWER SUPPLY UNITS WITH UNIVERSAL MOUNTING CARRIER	288-808
RAIL-MOUNTED MODULES - POWER SUPPLY UNITS WITH UNIVERSAL MOUNTING CARRIER	288-809
RAIL-MOUNTED MODULES - POWER SUPPLY UNITS WITH UNIVERSAL MOUNTING CARRIER	288-810
RAIL-MOUNTED MODULES - POWER SUPPLY UNITS WITH UNIVERSAL MOUNTING CARRIER	288-812
RAIL-MOUNTED MODULES - POWER SUPPLY UNITS WITH UNIVERSAL MOUNTING CARRIER	288-813
RAIL-MOUNTED MODULES - POWER SUPPLY UNITS WITH UNIVERSAL MOUNTING CARRIER	288-814

Data sheet

750-833

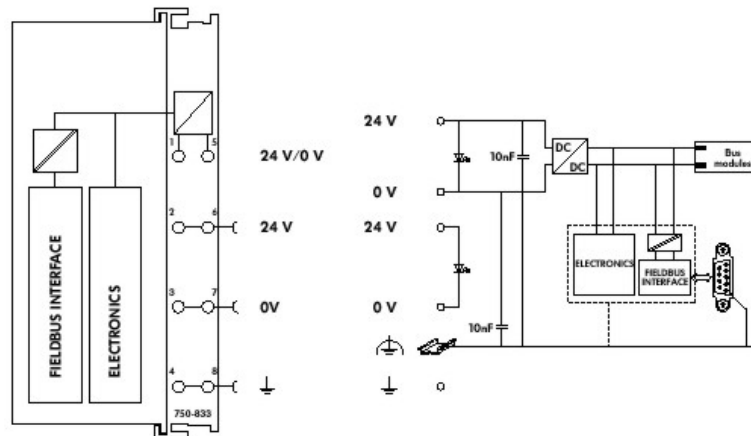
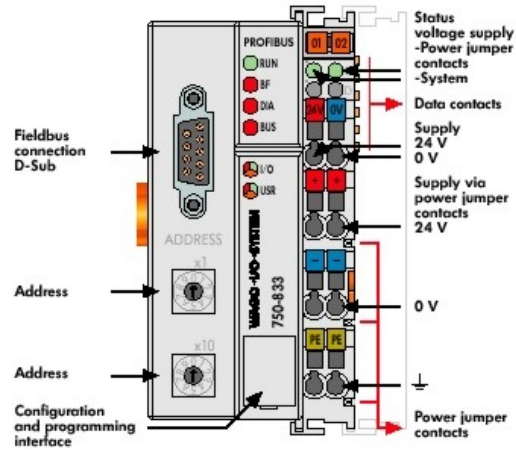
PROFIBUS DP/V1 PROGRAMMABLE FIELD BUS CONTROLLER 12 MBaud CARRIER RAIL DIN 35 CAGE CLAMP CONNECTION

RAIL-MOUNTED MODULES - POWER SUPPLY UNITS WITH UNIVERSAL MOUNTING CARRIER	288-815
SCREWDRIVER Type 1, bar (2,5 x 0,4) mm	210-119
SCREWDRIVER Type 2, bar (3,5 x 0,5) mm	210-120
SCREWDRIVER WITH PARTIALLY INSULATED SHAFT Type 1, bar (2,5 x 0,4) mm	210-619
SCREWDRIVER WITH PARTIALLY INSULATED SHAFT Type 2, bar (3,5 x 0,5) mm	210-620
SCREWLESS END STOP 10 MM / 0.394 IN WIDE	249-117
SCREWLESS END STOP 6 MM / 0.236 IN WIDE	249-116
SHIELD CLAMPING SADDLE 11 MM / 0.433 IN WIDE	790-108
SHIELD CLAMPING SADDLE 19 MM / 0.741 IN WIDE	790-116
SHIELD CLAMPING SADDLE 27 MM / 1.053 IN WIDE	790-124
SHIELD CLAMPING SADDLE 43 MM / 1.677 IN WIDE	790-140
STEEL CARRIER RAIL 35 X 15 MM, 1.5 MM / 0.059 IN THICK	210-114
STEEL CARRIER RAIL 35 X 15 MM, 1.5 MM / 0.059 IN THICK	210-197
STEEL CARRIER RAIL 35 X 15 MM, 1.5 MM / 0.059 IN THICK	210-506
STEEL CARRIER RAIL 35 X 15 MM, 1.5 MM / 0.059 IN THICK	210-508
STEEL CARRIER RAIL 35 X 15 MM, 2.3 MM / 0.091 IN THICK	210-118
STEEL CARRIER RAIL 35 X 15 MM, 2.3 MM / 0.091 IN THICK	210-548
STEEL CARRIER RAIL 35 X 7.5 MM, 1 MM / 0.039 IN THICK	210-112
STEEL CARRIER RAIL 35 X 7.5 MM, 1 MM / 0.039 IN THICK	210-113
STEEL CARRIER RAIL 35 X 7.5 MM, 1 MM / 0.039 IN THICK	210-504
STEEL CARRIER RAIL 35 X 7.5 MM, 1 MM / 0.039 IN THICK	210-505
STEEL IP65 ENCLOSURES 10/100 Mbit/s	750-841/025-000
STEPPER MODULE FOR THE WAGO-I/O-SYSTEM 750	750-670
STÜTZELKO-MODUL SMOOTHES UNSTABLE DC 24 V POWER SUPPLIES	288-824
WAGO RADIO ADAPTER	750-921

Data sheet

750-833

PROFIBUS DP/V1 PROGRAMMABLE FIELDBUS CONTROLLER 12 MBaud CARRIER RAIL DIN 35 CAGE CLAMP CONNECTION



Data sheet

750-833

**PROFIBUS DP/V1 PROGRAMMABLE FIELDBUS CONTROLLER 12 MBaud
CARRIER RAIL DIN 35 CAGE CLAMP CONNECTION**

The programmable fieldbus controller 750-833 combines the PROFIBUS DP functionality of the fieldbus coupler 750-333 with the functionality of a Programmable Logic Control (PLC). Programming of the application is done with WAGO-I/O-PRO 32 in accordance with IEC 61131 3, covering all 5 programming languages. The programmer can access all fieldbus and I/O data.

Characteristics and use:

- | The use of decentralized control can better support a PLC or PC
- | Signal pre-processing reduces fieldbus transmissions
- | Complex applications can be divided into multiple tasks
- | Tasks can be prioritized
- | Peripheral equipment can be controlled directly, resulting in faster system response times
- | Programmable response in the event of a fieldbus failure
- | Simple, self-sufficient control

Note: GSD files required

Data sheet

750-833

**PROFIBUS DP/V1 PROGRAMMABLE FIELDBUS CONTROLLER 12 MBaud
CARRIER RAIL DIN 35 CAGE CLAMP CONNECTION**
