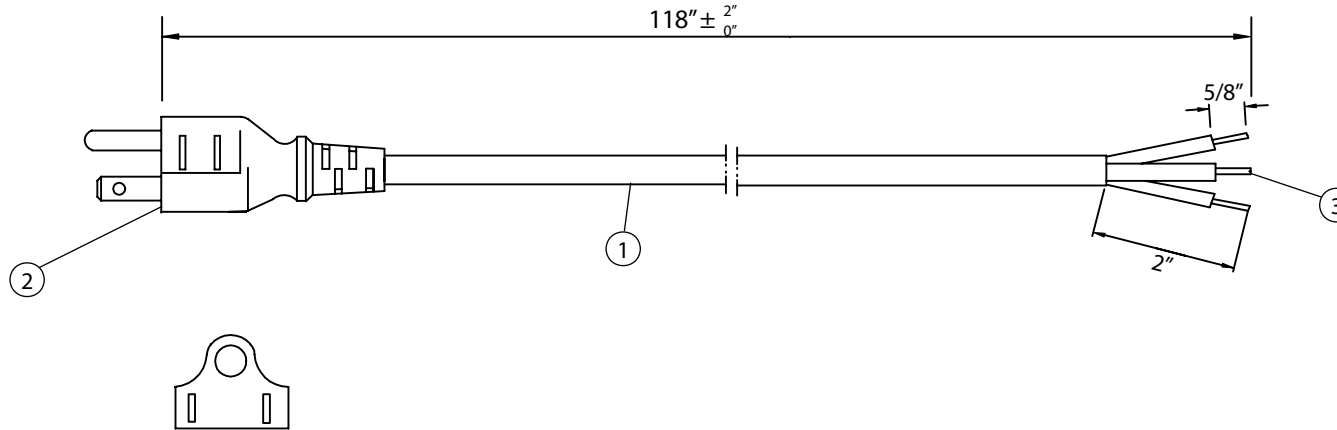


THESE DRAWINGS ARE THE PROPERTY OF QUALTEK ELECTRONICS AND NOT TO BE REPRODUCED FOR OR COMMUNICATED TO A THIRD PARTY WITHOUT THE EXPRESS WRITTEN PERMISSION OF AN OFFICER OF QUALTEK ELECTRONICS.

REVISION			
REV.	DESCRIPTION	DATE	APPROVED
B	RoHS Compliancy	06-01-06	DP
C	Updated Approvals	10-21-08	LY



NOTES:

1. CORDAGE: SJT, 14AWG / 3C, UNSHIELDED, CEE COLOR CODE, TEMP. RATING 60°C, RATING: 125V 15A, JACKET COLOR: BLACK
2. PLUG: NEMA 5-15P
3. OTHER END: ROJ 2', STRIP 5/8"
4. APPROVALS: UL, CSA
5. ROHS COMPLIANT

**CONTROLLED**

Dim range (mm)		Tolerance +/- (mm)		Qualtek Electronics Corp. PPC DIVISION		
0-1		0.15		Part Number: 311027-01 <span style="border: 1px solid green; padding: 2px;">RoHS Compliant</span>		
1-6		0.20		Description: POWER CORD		
6-18		0.30		UNIT: in REV.C		
18-50		0.50				
50-120		0.70		Drawn / Date	Checked / Date	Approved / Date
120-250		0.90		B. Zhang 10-10-02	10-10-02	JJH / 10-10-02
250-500		1.20				