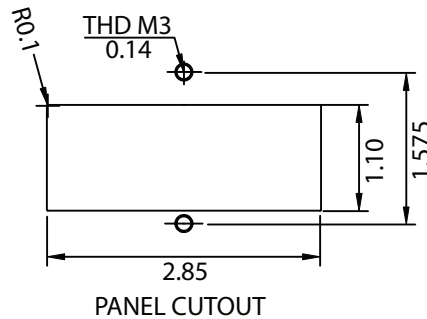
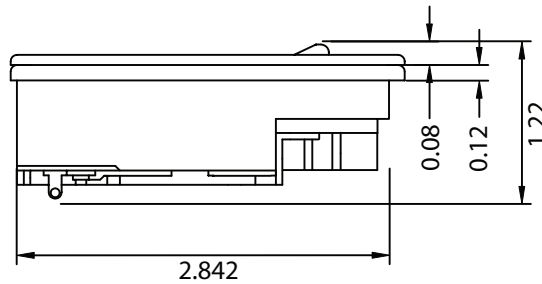
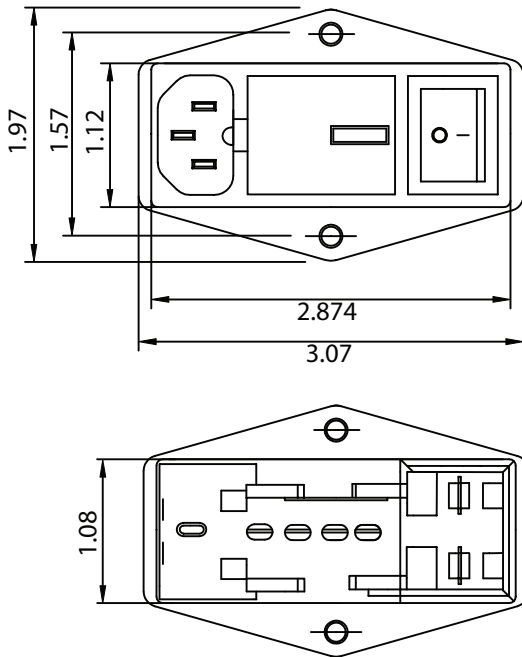


THESE DRAWINGS ARE THE PROPERTY OF QUALTEK ELECTRONICS AND NOT TO BE REPRODUCED FOR OR COMMUNICATED TO A THIRD PARTY WITHOUT THE EXPRESS WRITTEN PERMISSION OF AN OFFICER OF QUALTEK ELECTRONICS.

REVISION			
REV.	DESCRIPTION	DATE	APPROVED
B	RoHS Compliancy	06-01-06	DP
C	Updated Specifications	01-24-08	DP

MECHANICAL DIMENSIONS:



NOTES:

ELECTRICAL CHARACTERISTICS:

RATED CURRENT:

UL / CSA / SEMKO @ 250 VAC.....10 AMP

DPST POWER SWITCH:

UL / CSA / @ 250 VAC.....10 AMP

SEMKO @ 250VAC.....10 AMP

VOLTAGE SELECTOR CARD:

100-120 VAC or 200-240 VAC INPUT VOLTAGE

UL / CSA / SEMKO @ 250.....10 AMP

DOUBLE 5x20mm FUSEHOLDER

SOLDER TAB TERMINALS

FLAMMABILITY CLASS UL94V-0

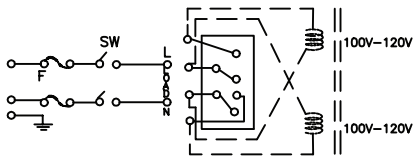
PLASTIC CASE

SCREW MOUNT TYPE

APPROVALS: UL, CSA, SEMKO

RoHS COMPLIANT

ELECTRICAL SCHEMATIC:



CONTROLLED

		Qualtek Electronics Corp. PPC DIVISION		
Dim range (mm)	Tolerance +/- (mm)	Part Number: 764-00/003		RoHS Compliant
0-1	0.15	Description: MULTI-FUNCTION MODULE		
1-6	0.20			
6-18	0.30			
18-50	0.50			
50-120	0.70	UNIT: in	REV. C	
120-250	0.90	Drawn / Date	Checked / Date	Approved / Date
250-500	1.20	B.ZHANG 09-24-03	09-24-03	JJH / 09-24-03