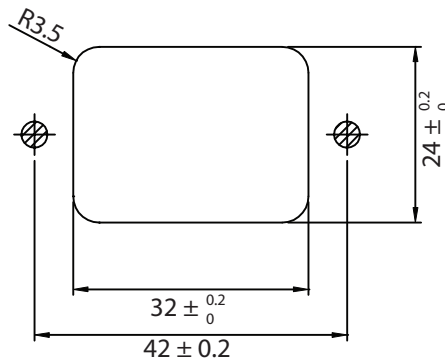
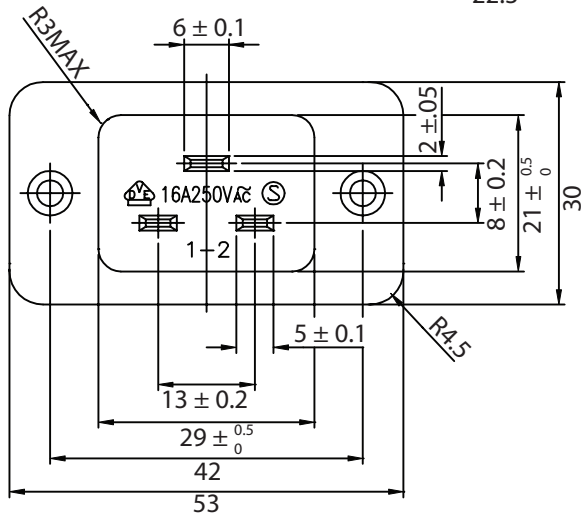
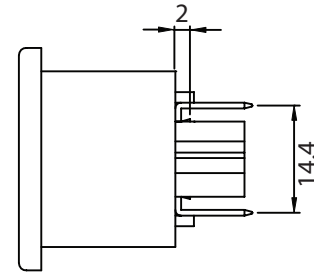
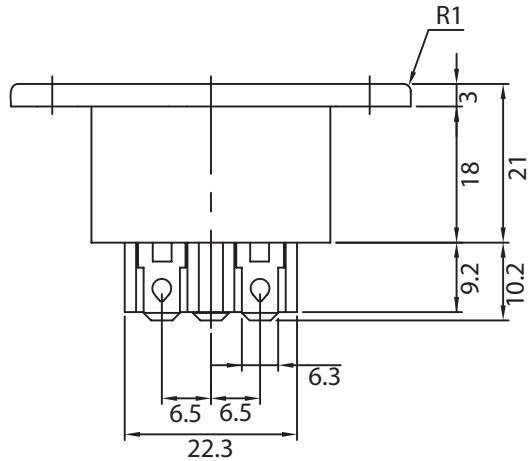
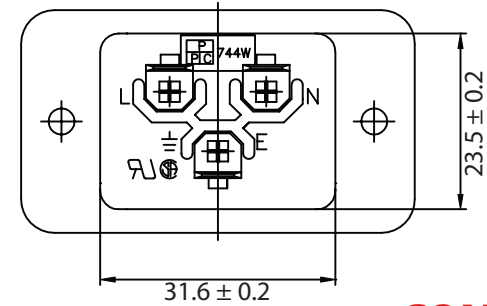


THESE DRAWINGS ARE THE PROPERTY OF QUALTEK ELECTRONICS AND NOT TO BE REPRODUCED FOR OR COMMUNICATED TO A THIRD PARTY WITHOUT THE EXPRESS WRITTEN PERMISSION OF AN OFFICER OF QUALTEK ELECTRONICS.

REVISION			
REV.	DESCRIPTION	DATE	APPROVED
B	RoHS Compliancy	06-01-06	DP
C	Notes Updated	08-09-07	DP
D	Added UL and CSA file number	01-13-10	LY



PANEL CUTOUT



CONTROLLED

NOTES:

RATING:

UL, CSA: 20A 125V AC/ 20A 250V AC
 VDE: 16A 250V AC
 APPROVALS: UL, CSA, VDE
 UL FILE: E139592
 CSA FILE: LR75389
 IEC 60320 C20
 RoHS COMPLIANT

4	Soldering PIN Bronze Strip t=0.8mm w=6.3mm Tin-Plated	3
3	Contact PIN Bronze Strip t=2mm Ni-Plated	2
2	Contact PIN Bronze Strip t=2mm Ni-Plated	1
1	Body Insulator PBT420-SEO Black Color	1

Dim range (mm)	Tolerance +/- (mm)	Qualtek Electronics Corp. PPC DIVISION		
		Part Number: 744W-00/04	RoHS Compliant	
0-1	0.15	Description: AC RECEPTACLE		
1-6	0.20			
6-18	0.30		UNIT: mm	REV.D
18-50	0.50			
50-120	0.70	Drawn / Date	Checked / Date	Approved / Date
120-250	0.90	B.Zhang 02-26-03	02-26-03	JJH / 02-26-03
250-500	1.20			