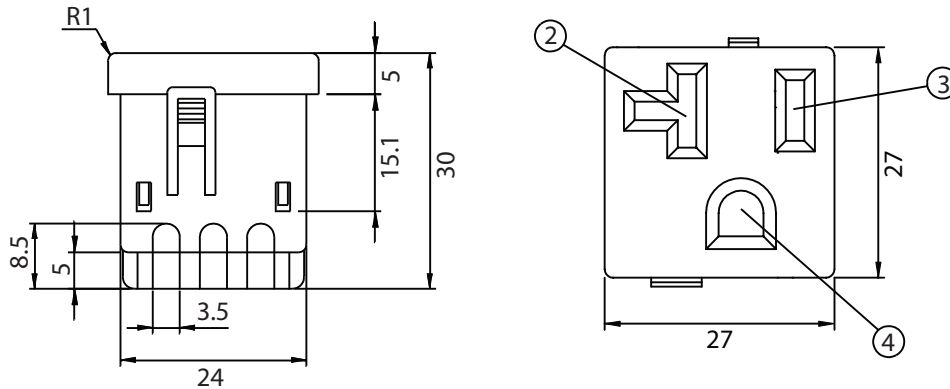
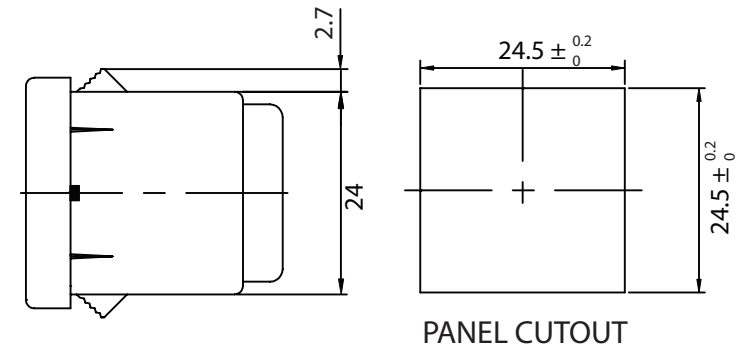
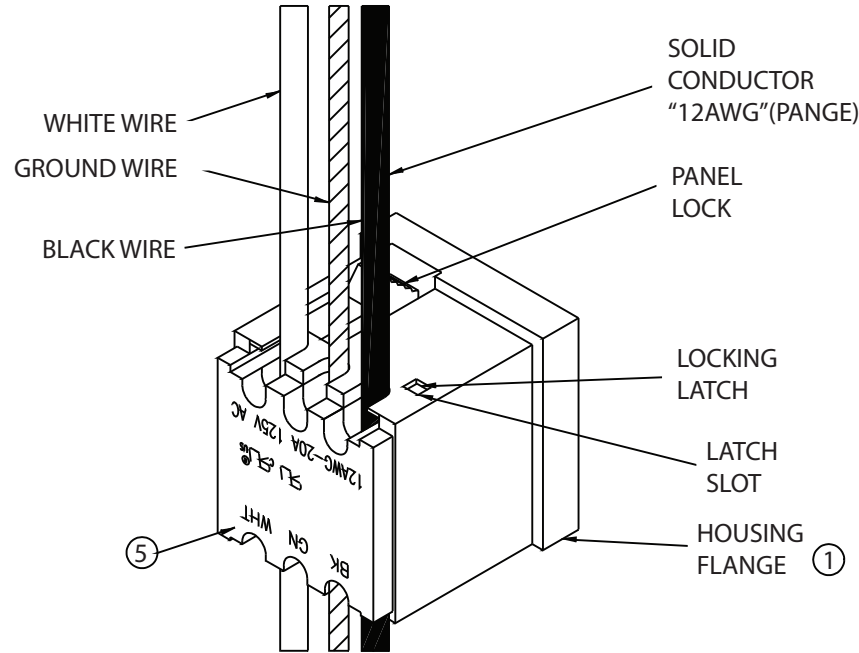


| REVISION | | | |
|----------|-----------------|----------|----------|
| REV. | DESCRIPTION | DATE | APPROVED |
| B | RoHS Compliancy | 06-01-06 | DP |
| C | UL Reapproval | 05-27-07 | DP |

THESE DRAWINGS ARE THE PROPERTY OF QUALTEK ELECTRONICS AND NOT TO BE REPRODUCED FOR OR COMMUNICATED TO A THIRD PARTY WITHOUT THE EXPRESS WRITTEN PERMISSION OF AN OFFICER OF QUALTEK ELECTRONICS.



NOTES:

USE 12 AWG SOLID COPPER WIRE ONLY
 20A 125V
 PANEL THICKNESS: 0.8~1.8mm
 APPROVALS: UL,cUL
 PRODUCT SHIPPED UNASSEMBLED
 RoHS COMPLIANT

CONTROLLED

| | | |
|---|--|---|
| 5 | Cover back of the body, NYLON Black Color | 1 |
| 4 | Contact PIN Bronze Strip t=0.7mm | 1 |
| 3 | Contact PIN Bronze Strip t=0.7mm | 1 |
| 2 | Contact PIN Bronze Strip t=0.7mm Ni-Plated | 1 |
| 1 | Body Insulator NYLON Black Color | 1 |

| Dim range (mm) | Tolerance +/- (mm) | Qualtek Electronics Corp. PPC DIVISION | | |
|----------------|--------------------|--|--------------|----------------|
| | | Part Number: 739W-X2/20 RoHS Compliant | | |
| 0-1 | 0.15 | Description: SNAP-IN 20 AMP T-SLOT RECEPTACLE | | |
| 1-6 | 0.20 | | | |
| 6-18 | 0.30 | UNIT: mm | REV. C | |
| 18-50 | 0.50 | | Drawn / Date | Checked / Date |
| 50-120 | 0.70 | R.Nuti | 05-27-07 | JJH / 05-27-07 |
| 120-250 | 0.90 | | | |
| 250-500 | 1.20 | | | |