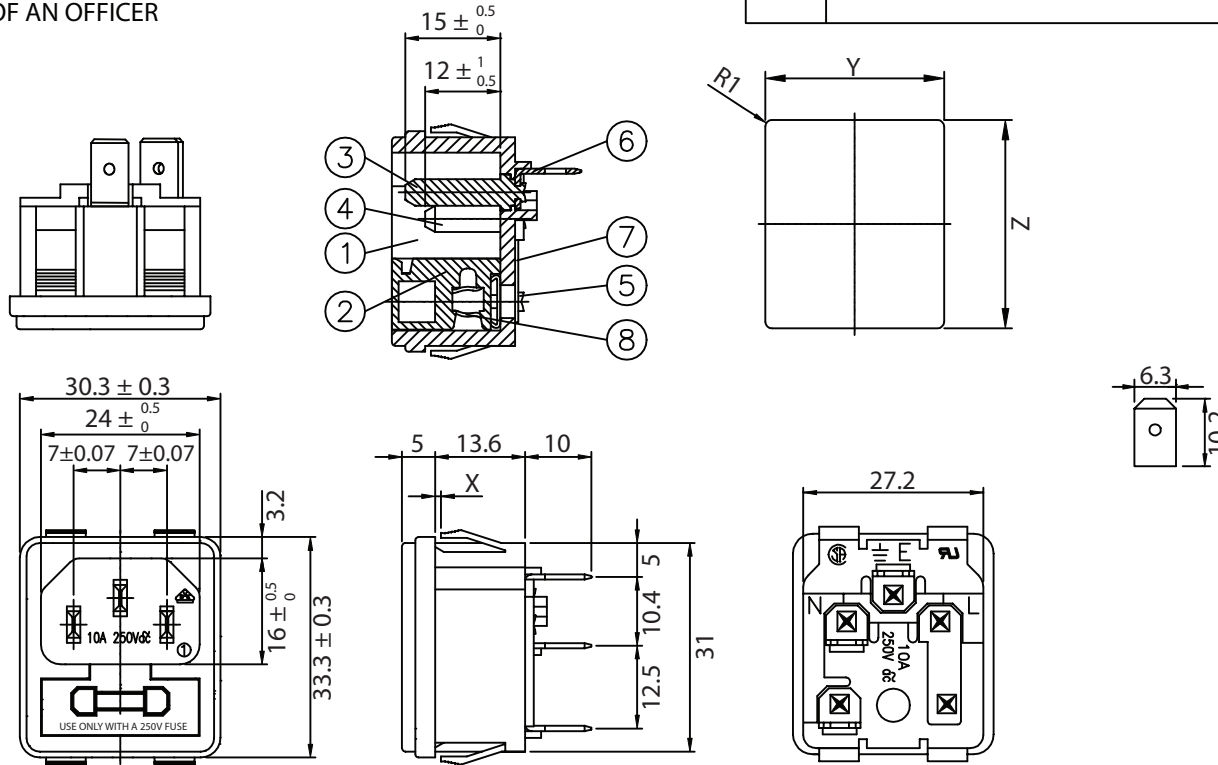


THESE DRAWINGS ARE THE PROPERTY OF QUALTEK ELECTRONICS AND NOT TO BE REPRODUCED FOR OR COMMUNICATED TO A THIRD PARTY WITHOUT THE EXPRESS WRITTEN PERMISSION OF AN OFFICER OF QUALTEK ELECTRONICS.

REVISION			
REV.	DESCRIPTION	DATE	APPROVED
B	RoHS Compliancy	06-01-06	DP



CONTROLLED

X(PANEL THICKNESS)	Y(CUTOUT DIMENSION)	Z(CUTOUT DIMENSION)
0.8~1.25 mm	27.3± ^{0.2} ₀	31.4± ^{0.5} ₀
1.25~2.0 mm	27.3± ^{0.2} ₀	31.6± ^{0.5} ₀

PANEL CUTOUT DIMENSION TABLE

NOTES:

RATING: 10A 250V AC
 INSULATION RESISTANCE: 100M OHM AT 500V DC MIN
 DIELECTRIC STRENGTH: 2000V AC/1 mA 1MIN
 APPROVALS: UL,CSA,VDE
 DUAL FUSEHOLDER, ONE ACTIVE, ONE SPARE
 FUSES NOT INCLUDED - RECOMMENDED SIZE: 5 X 20mm
 RoHS COMPLIANT

8	Terminal Brass t=0.5mm	2
7	Terminal Brass t=0.5mm	1
6	Terminal Brass t=0.8mm	3
5	Terminal Brass t=2.0mm	2
4	Terminal Brass t=2.0mm	2
3	Terminal Brass t=2.0mm	1
2	Cover Nylon # 66	1
1	Case Nylon # 66	1

Dim range (mm)	Tolerance +/- (mm)	Qualtek Electronics Corp. PPC DIVISION		
		Part Number: 723W-X2/04		RoHS Compliant
0-1	0.15	Description: UNIVERSAL SNAP-IN INLET WITH FUSEHOLDER		
1-6	0.20			
6-18	0.30	UNIT: mm	REV. B	
18-50	0.50		Drawn / Date	Checked / Date
50-120	0.70	B.Zhang 04-04-05		04-04-05
120-250	0.90			
250-500	1.20			