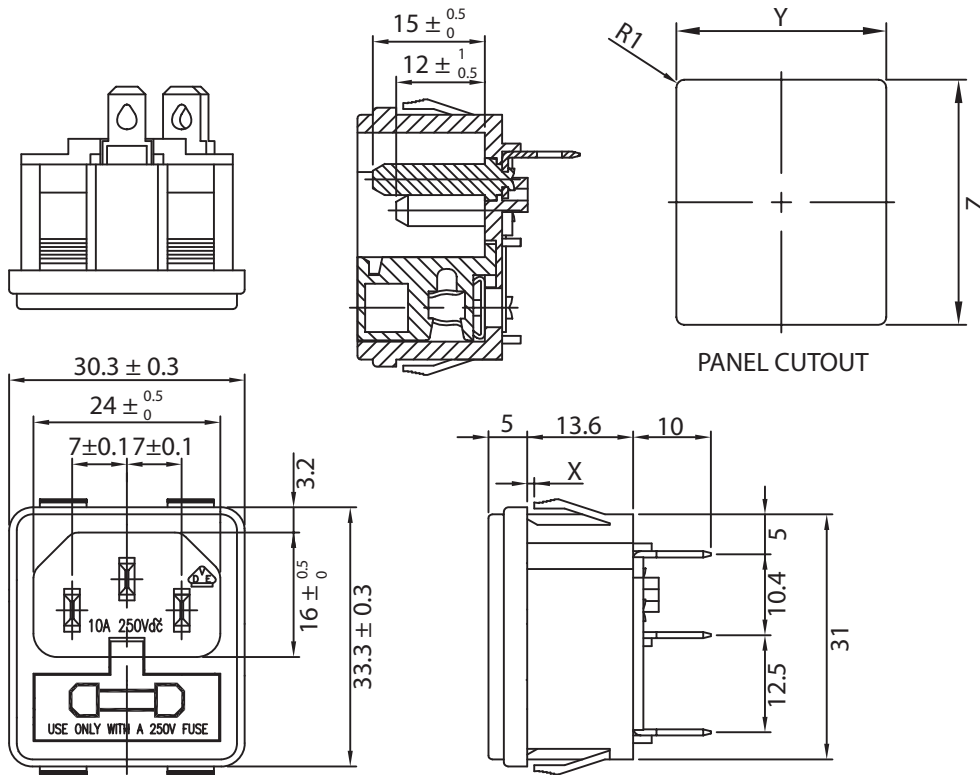
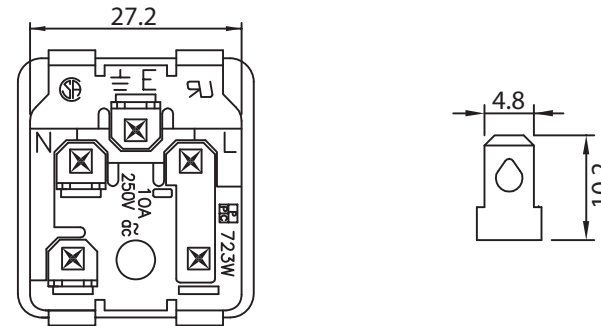


THESE DRAWINGS ARE THE PROPERTY OF QUALTEK ELECTRONICS AND NOT TO BE REPRODUCED FOR OR COMMUNICATED TO A THIRD PARTY WITHOUT THE EXPRESS WRITTEN PERMISSION OF AN OFFICER OF QUALTEK ELECTRONICS.

REVISION			
REV.	DESCRIPTION	DATE	APPROVED
B	RoHS Compliancy	06-01-06	DP
C	Updated Specifications	12-12-07	DP



X(PANEL THICKNESS)	Y(CUTOUT DIMENSION)	Z(CUTOUT DIMENSION)
0.8~1.25 mm	$27.3 \pm 0.2$	$31.4 \pm 0.5$
1.25~2.0 mm	$27.3 \pm 0.2$	$31.6 \pm 0.5$



**CONTROLLED**

NOTES:

RATING: 10A 250V AC  
 INSULATION RESISTANCE: 100M OHM 500V DC MIN  
 DIELECTRIC STRENGTH: 2000VAC/1mA ONE MINUTE  
 APPROVALS: UL, CSA, VDE  
 DUAL FUSEHOLDER, ONE ACTIVE, ONE SPARE  
 FUSES NOT INCLUDED - RECOMMENDED SIZE; 5 X 20MM  
 RoHS COMPLIANT

Dim range (mm)	Tolerance +/- (mm)	Qualtek Electronics Corp. PPC DIVISION		
		Part Number: 723W-X2/03	RoHS Compliant	
0-1	0.15	Description: UNIVERSAL SNAP-IN INLET WITH FUSEHOLDER		
1-6	0.20		UNIT: mm	REV. C
6-18	0.30			
18-50	0.50			
50-120	0.70	Drawn / Date	Checked / Date	Approved / Date
120-250	0.90	B.Zhang 09-09-02	09-09-02	JJH / 09-09-02
250-500	1.20			