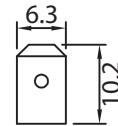
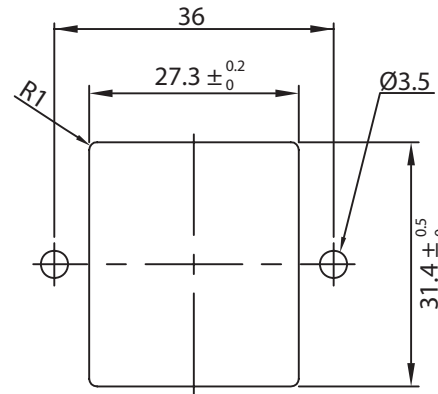
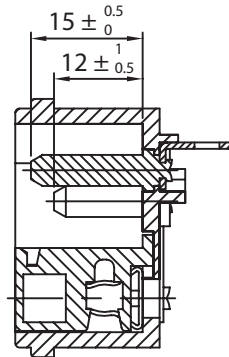
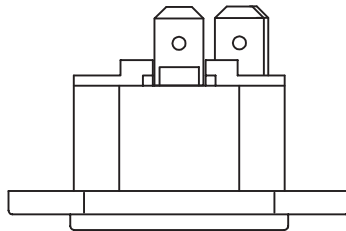
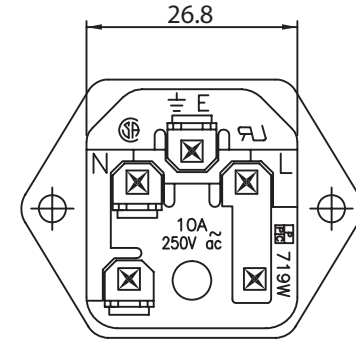
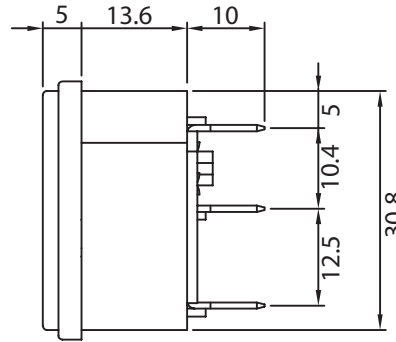
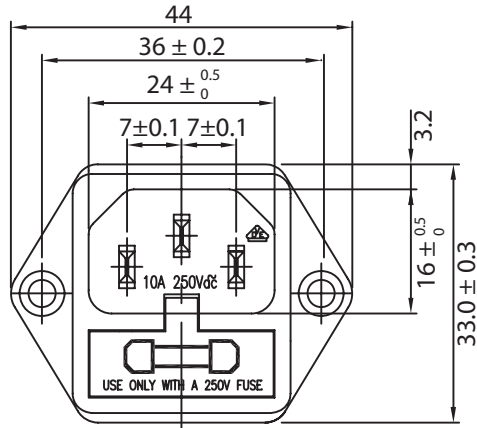


THESE DRAWINGS ARE THE PROPERTY OF QUALTEK ELECTRONICS AND NOT TO BE REPRODUCED FOR OR COMMUNICATED TO A THIRD PARTY WITHOUT THE EXPRESS WRITTEN PERMISSION OF AN OFFICER OF QUALTEK ELECTRONICS.

REVISION			
REV.	DESCRIPTION	DATE	APPROVED
B	RoHS Compliancy	06-01-06	DP
C	Graphics Update	03-21-08	DP
D	Added Temp Rating	04-14-11	LY



CONTROLLED

NOTES:

RATING: 10A 250V AC
 DIELECTRIC STRENGTH: 2000V AC/1mA 1MIN
 INSULATION RESISTANCE: 100M OHM 500VDC MIN
 APPROVALS: UL,CSA,VDE
 DUAL FUSEHOLDER, ONE ACTIVE, ONE SPARE
 FUSES NOT INCLUDED - RECOMMENDED SIZE: 5 X 20mm
 OPERATING TEMPERATURE: -10°C TO +70°C
 MAX PIN TEMPERATURE: +70°C
 RoHS COMPLIANT

Dim range (mm)	Tolerance +/- (mm)	Qualtek Electronics Corp. PPC DIVISION		
		Part Number:	719W-00/04	RoHS Compliant
0-1	0.15	Description: AC RECEPTACLE		
1-6	0.20		UNIT: mm	REV.D
6-18	0.30			
18-50	0.50			
50-120	0.70	Drawn / Date	Checked / Date	Approved / Date
120-250	0.90	B.Zhang 01-27-04	01-27-04	JJH / 01-27-04
250-500	1.20			