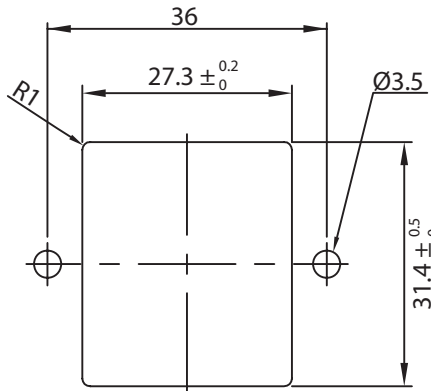
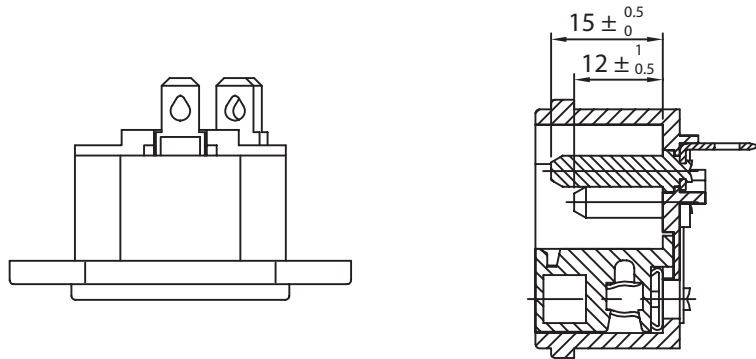
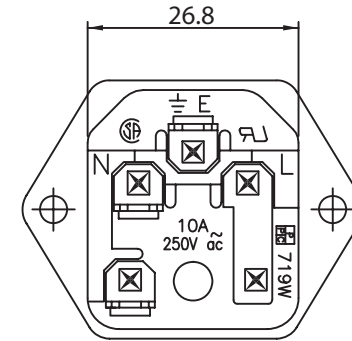
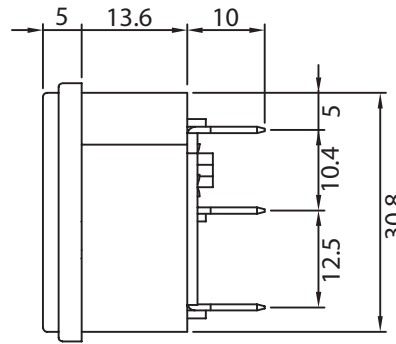
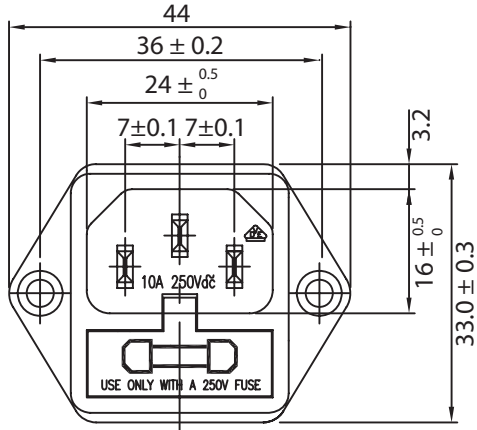
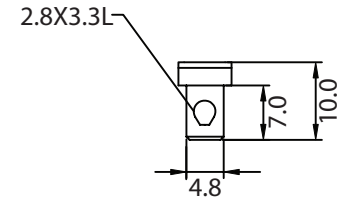


THESE DRAWINGS ARE THE PROPERTY OF QUALTEK ELECTRONICS AND NOT TO BE REPRODUCED FOR OR COMMUNICATED TO A THIRD PARTY WITHOUT THE EXPRESS WRITTEN PERMISSION OF AN OFFICER OF QUALTEK ELECTRONICS.

REVISION			
REV.	DESCRIPTION	DATE	APPROVED
B	RoHS Compliancy	06-01-06	DP
C	Graphics Update	03-20-08	DP



PANEL CUTOUT



NOTES:

MATERIAL:

- MOULDING: NYLON, FLAMMABILITY RATING UL 94 V-0
- CONTACTS: BRASS, PINS NICKEL PLATED, TAGS TIN PLATED
- RATING: 10A 250V AC
- CONTACT RESISTANCE: <10m OHM
- INSULATION RESISTANCE: >100M OHM 500VDC MIN
- DIELECTRICS STRENGTH: 2000VAC/1mA 1MIN
- A.C. BREAKDOWN:
 - POLE-POLE: 5kV
 - POLES-PANEL: 4.0kV
- OPERATING TEMPERATURE: -40 °C TO +70 °C
- MAX. PIN TEMPERATURE: +65 °C
- APPROVALS: UL, CSA, VDE
- DUAL FUSEHOLDER, ONE ACTIVE, ONE SPARE
- FUSES NOT INCLUDED - RECOMMENDED SIZE: 5 X 20mm
- RoHS COMPLIANT

CONTROLLED

Dim range (mm)	Tolerance +/- (mm)	Qualtek Electronics Corp. PPC DIVISION		
		Part Number:	719W-00/03	RoHS Compliant
0-1	0.15	Description: AC RECEPTACLE		
1-6	0.20			
6-18	0.30		UNIT: mm	REV. C
18-50	0.50			
50-120	0.70	Drawn / Date	Checked / Date	Approved / Date
120-250	0.90	B.Zhang 08-28-02	08-28-02	JJH / 08-28-02
250-500	1.20			