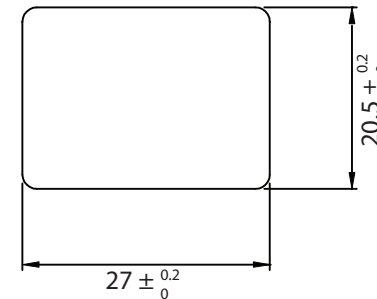
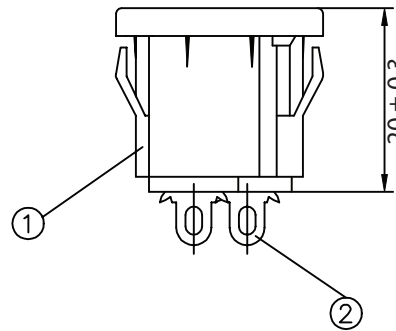
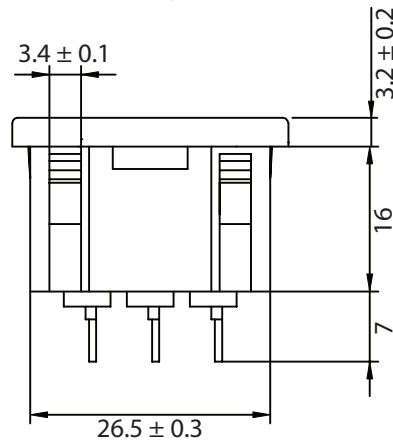
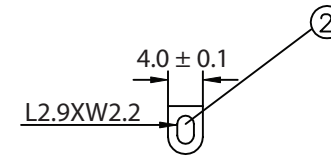
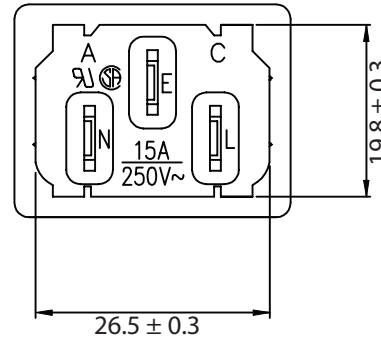
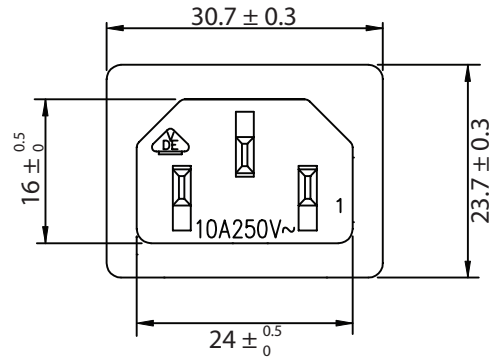


THESE DRAWINGS ARE THE PROPERTY OF QUALTEK ELECTRONICS AND NOT TO BE REPRODUCED FOR OR COMMUNICATED TO A THIRD PARTY WITHOUT THE EXPRESS WRITTEN PERMISSION OF AN OFFICER OF QUALTEK ELECTRONICS.

REVISION			
REV.	DESCRIPTION	DATE	APPROVED
B	RoHS Compliancy	06-01-06	DP
C	Updated Dimensions	06-30-08	DP



PANEL CUTOUT THICKNESS FOR PLASTIC PANEL 0.8mm~1.5mm
 PANEL CUTOUT THICKNESS FOR STEEL PANEL 0.8mm~2.0mm

CONTROLLED

NOTES:

MATERIAL:

HOUSING: THERMOPLASTIC
 TERMINAL: COPPER ALLOY

RATING:

UL, CSA: 15A 250V AC
 VDE: 10A 250V AC
 INSULATION RESISTANCE: OVER 100M OHM 500V DC
 DIELECTRIC RESISTANCE: 2000V AC ONE MINUTE
 APPROVALS: UL, CSA, VDE
 RoHS COMPLIANT

2	Terminal Set COPPER ALLOY Tin-Plated	3	
1	Housing SNAP-IN TYPE	1	
Dim range (mm)	Tolerance +/- (mm)	Qualtek Electronics Corp.	
		PPC DIVISION	
Part Number: 701W-X2/02		RoHS Compliant	
Description: AC RECEPTACLE			
0-1	0.15	UNIT: mm	REV. C
1-6	0.20		
6-18	0.30	Drawn / Date	Checked / Date
18-50	0.50		
50-120	0.70	B.Zhang 10-25-04	Approved / Date
120-250	0.90		
250-500	1.20		
		10-25-04	JJH / 10-25-04