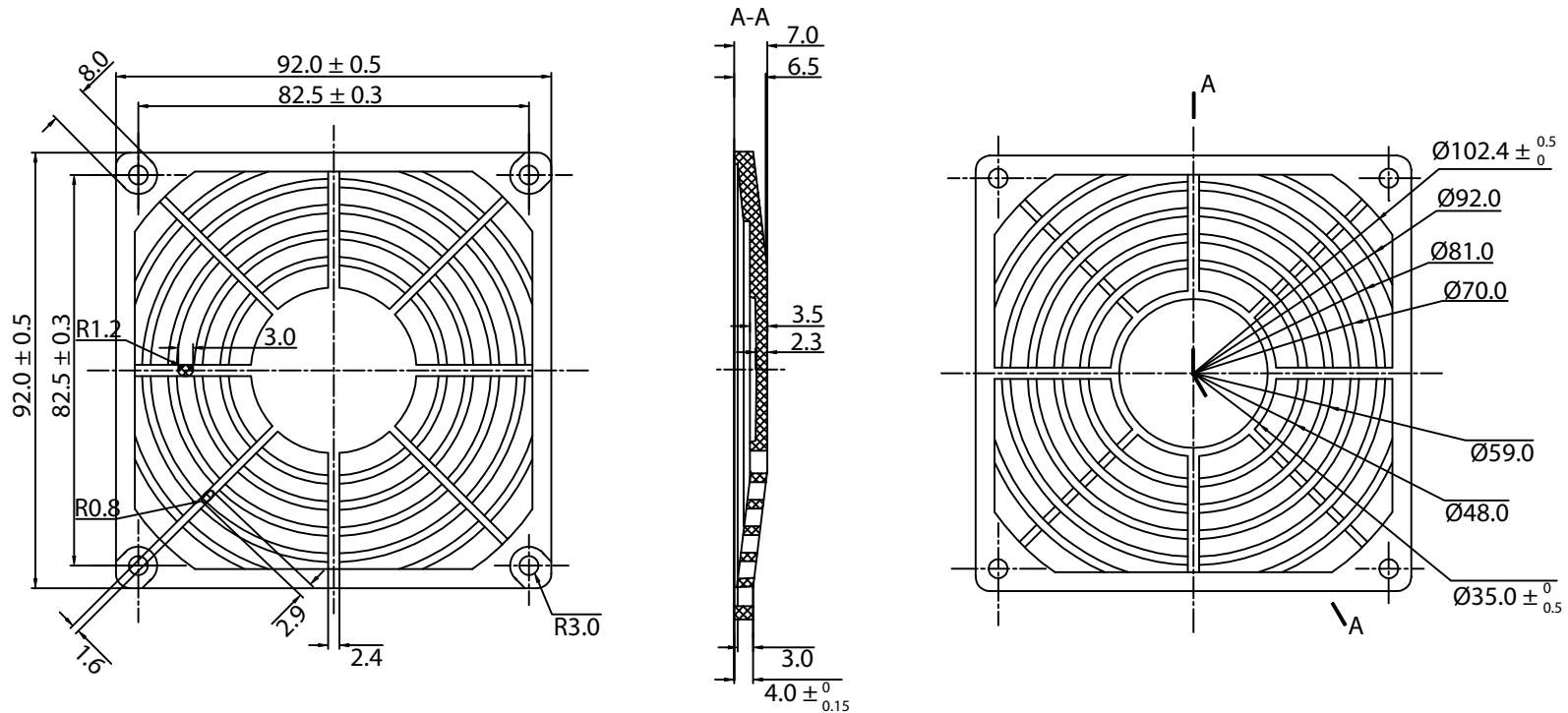


THESE DRAWINGS ARE THE PROPERTY OF QUALTEK ELECTRONICS AND NOT TO BE REPRODUCED FOR OR COMMUNICATED TO A THIRD PARTY WITHOUT THE EXPRESS WRITTEN PERMISSION OF AN OFFICER OF QUALTEK ELECTRONICS.

REVISION			
REV.	DESCRIPTION	DATE	APPROVED
B	RoHS Compliancy	06-01-06	DP



CONTROLLED

NOTES:

MATERIAL: PBT UL94V-0
RoHS COMPLIANT

Dim range (mm)	Tolerance +/- (mm)	Qualtek Electronics Corp. FAN-S DIVISION		
		Part Number: 09363-G		RoHS Compliant
0-5	0.1	Description: PLASTIC FAN GUARD		
5-16	0.15	UNIT: mm REV: B		
16-64	0.2	Approved / Date		
64-250	0.4	Checked / Date		
250-1000	0.5	Drawn / Date		
1000-1500	1.0	B. ZHANG 10-17-03		
		10-17-03		JJH / 10-17-03