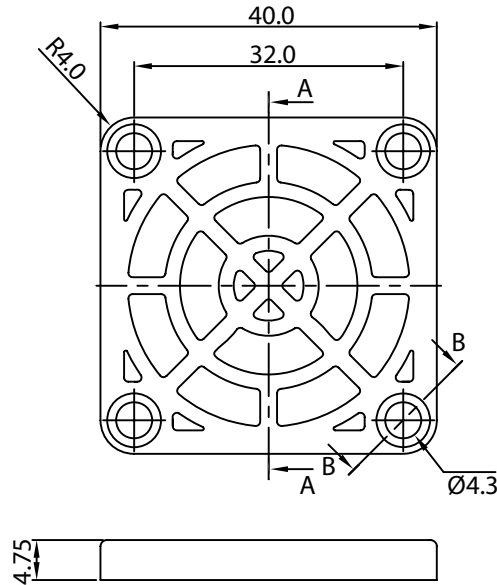


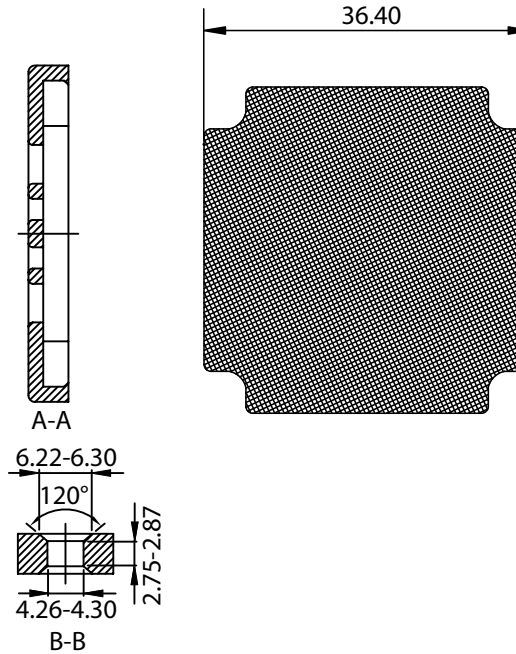
THESE DRAWINGS ARE THE PROPERTY OF QUALTEK ELECTRONICS AND NOT TO BE REPRODUCED FOR OR COMMUNICATED TO A THIRD PARTY WITHOUT THE EXPRESS WRITTEN PERMISSION OF AN OFFICER OF QUALTEK ELECTRONICS.

REVISION			
REV.	DESCRIPTION	DATE	APPROVED
B	RoHS Compliancy	06-01-06	DP
C	Updated Graphics	01-13-10	LY

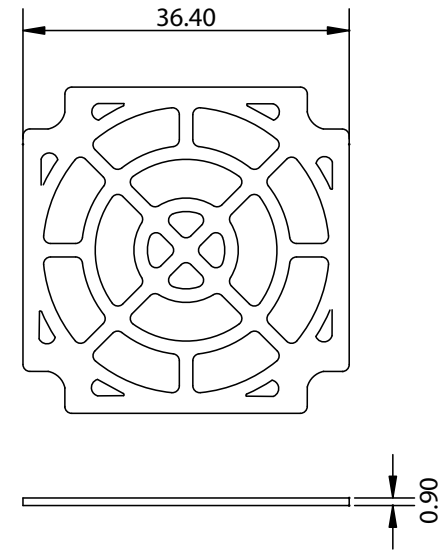
FAN GUARD



MEDIA



RETAINER



NOTES:

MEDIA* AVAILABLE IN:
 XX=30 PPI **
 45 PPI **
 60 PPI **
 100 PPI **
 * UL 900 CLASS II
 ** Pores Per Inch
 RoHS COMPLIANT

CONTROLLED

Dim range (mm)	Tolerance +/- (mm)	Qualtek Electronics Corp. FAN-S DIVISION		
0-5	0.1	Part Number: 09150-F/XX		RoHS Compliant
5-16	0.15	Description: PLASTIC FAN FILTER ASSEMBLY		
16-64	0.2	UNIT: mm		REV: C
64-250	0.4	Checked / Date		Approved / Date
250-1000	0.5	B. ZHANG 10-17-03		JJH / 10-17-03
1000-1500	1.0			