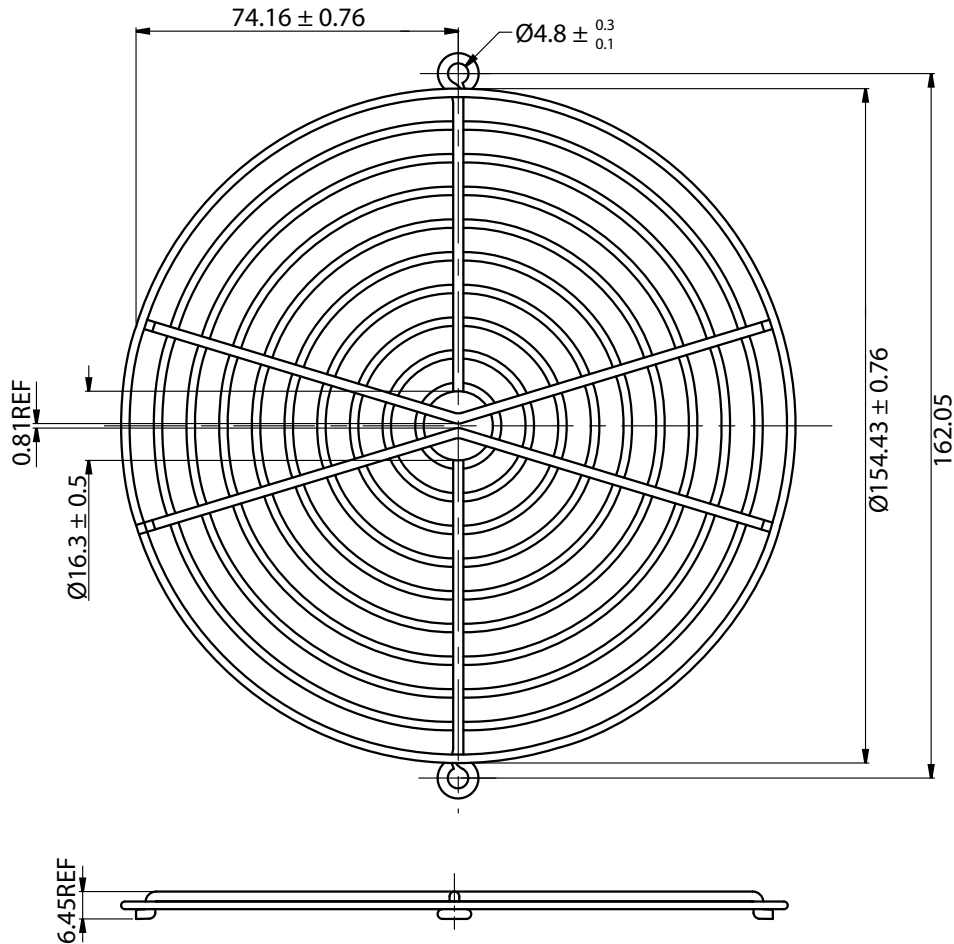


THESE DRAWINGS ARE THE PROPERTY OF QUALTEK ELECTRONICS AND NOT TO BE REPRODUCED FOR OR COMMUNICATED TO A THIRD PARTY WITHOUT THE EXPRESS WRITTEN PERMISSION OF AN OFFICER OF QUALTEK ELECTRONICS.

REVISION			
REV.	DESCRIPTION	DATE	APPROVED
B	RoHS Compliancy	06-01-06	DP



NOTES:

1. MATERIAL: C1008 BRIGHT BASIC WIRE
2. FINISH: BRIGHT NICKEL CHROME PLATING
3.  $0.35 \pm 0.05$  DEPTH OF SERRATIONS ON WIRE
4. RING:  $\varnothing 1.8 \pm 0.1$ mm  
RIB:  $\varnothing 2.3 \pm 0.1$ mm
5. GENERAL TOLERANCE UNLESS NOTED IS  $\pm 0.5$ mm
6. RoHS COMPLIANT

**CONTROLLED**

Dim range (mm)	Tolerance +/- (mm)	Qualtek Electronics Corp. FAN-S DIVISION		
0-5	0.1	Part Number: <b>08126</b>		<span style="border: 1px solid green; padding: 2px;">RoHS Compliant</span>
5-16	0.15	Description: <b>WIRE FORM FAN GUARD (150mm)</b>		
16-64	0.2	UNIT: mm	REV: B	
64-250	0.4	Drawn / Date	Checked / Date	Approved / Date
250-1000	0.5	B. ZHANG 03-08-05	03-08-05	JJH / 03-08-05
1000-1500	1.0			