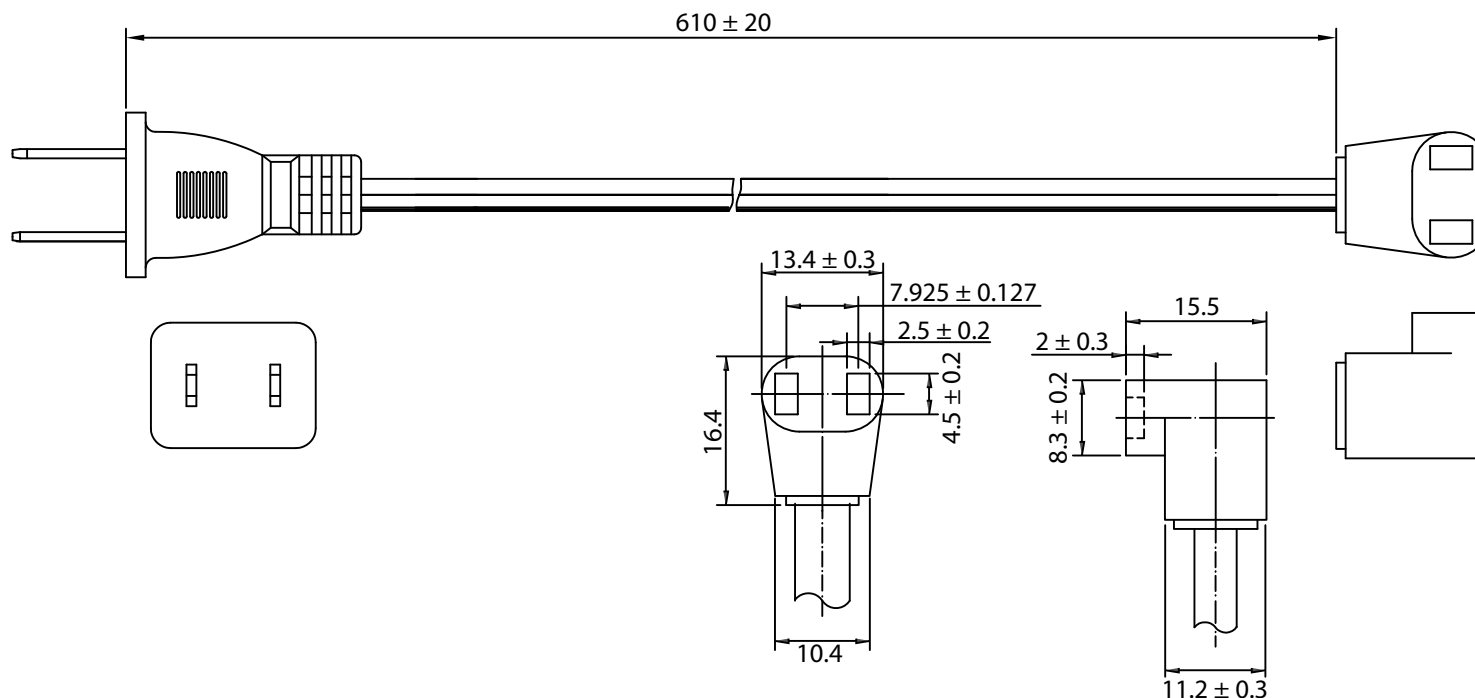


THESE DRAWINGS ARE THE PROPERTY OF QUALTEK ELECTRONICS AND NOT TO BE REPRODUCED FOR OR COMMUNICATED TO A THIRD PARTY WITHOUT THE EXPRESS WRITTEN PERMISSION OF AN OFFICER OF QUALTEK ELECTRONICS.

| REVISION |                        |          |          |
|----------|------------------------|----------|----------|
| REV.     | DESCRIPTION            | DATE     | APPROVED |
| B        | RoHS Compliancy        | 06-01-06 | DP       |
| C        | Dimension Update       | 08-07-08 | DP       |
| D        | Updated Specifications | 09-18-08 | LY       |



**CONTROLLED**

NOTES:

1. RATING: 10A 125V
2. PLUG: NEMA 1-15P
3. CORDAGE: SPT-1, 18AWG/2C, 105°C
4. CORD LENGTH: 24 INCHES
5. APPROVALS: UL, cUL
6. RoHS COMPLIANT

| Dim range (mm) | Tolerance +/- (mm) | Qualtek Electronics Corp.<br>FAN-S DIVISION           |                |  |
|----------------|--------------------|---|----------------|--|
|                |                    | Part Number: 07190-SP024                              |                | <span style="border: 1px solid green; padding: 2px;">RoHS Compliant</span> |
| 0-1            | 0.15               | Description:<br>FAN CORD FEMALE 90° W/ NEMA 1-15 PLUG |                |  |
| 1-6            | 0.20               |   |                |  |
| 6-18           | 0.30               |   | UNIT: mm       | REV. D   |
| 18-50          | 0.50               | Drawn / Date  | Checked / Date | Approved / Date  |
| 50-120         | 0.70               | B.Zhang<br>10-18-02                                   | 10-18-02       | JJH / 10-18-02   |
| 120-250        | 0.90               |   |                |  |
| 250-500        | 1.20               |   |                |  |