



MADE IN USA

**AS1 Series** Current Operated Switches combine a current transformer, signal conditioner and limit alarm into a single package for use in status monitoring or proof of operation applications. Offering an extended set point range of 1–150A and universal, solid-state outputs, the self-powered AS1 can be tailored to provide accurate and dependable digital indication of over-current conditions across a broad range of applications. Available in solid-core enclosure styles or in a split-core case to maximize ease of installation.

## AS1 SERIES Current Operated Switches

### Applications

#### Electronic Proof of Flow

- Current operated switches eliminate the need for multiple pipe or duct penetrations and is more reliable than electromechanical pressure or flow switches.

#### Conveyors

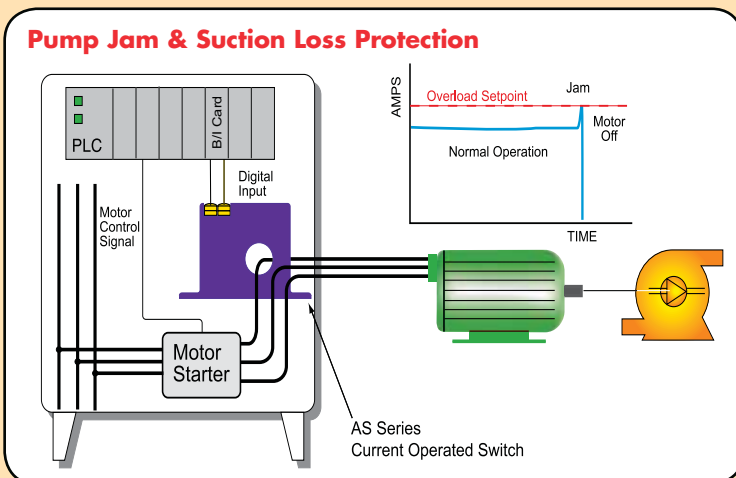
- Detects jams and overloads.
- Interlocks multiple conveyor sections.

#### Lighting Circuits

- Easier to install and more accurate than photocells.

#### Electrical Heaters

- Faster response than temperature sensors.



### Features

#### Universal Output

- N.O. or N.C. solid state switch for control circuits up to 240VAC/DC.
- Compatible with most automation systems.

#### Self-powered

- Cuts installation and operating costs.

#### Easily Adjustable Setpoint

- Speeds startup.

#### Solid or Split-core Case

- Versions tailored for each installation.

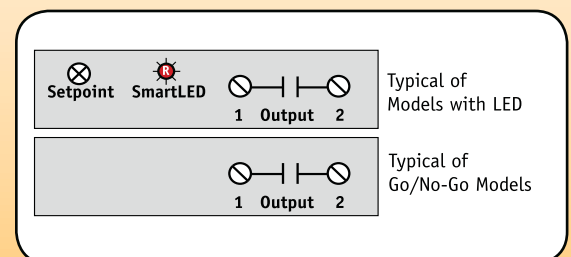
#### LED Indicator

- Provides quick visual indication of contact status.

#### Built-in Mounting Feet

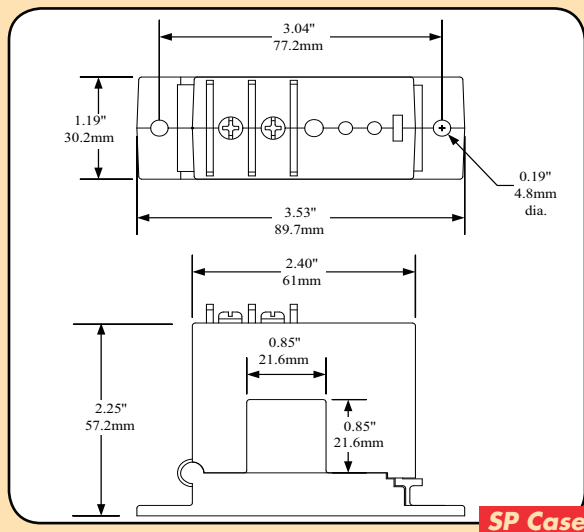
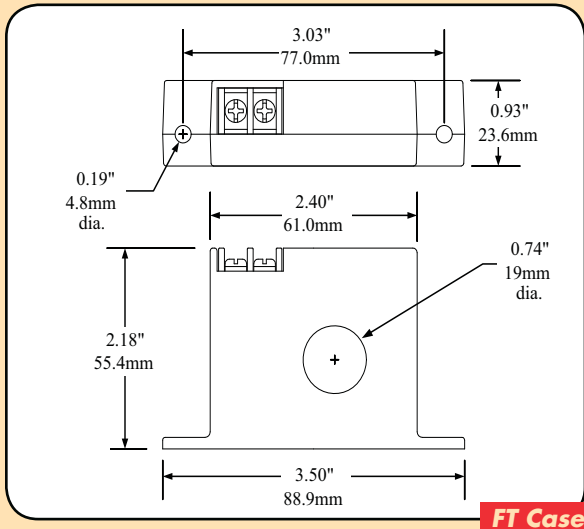
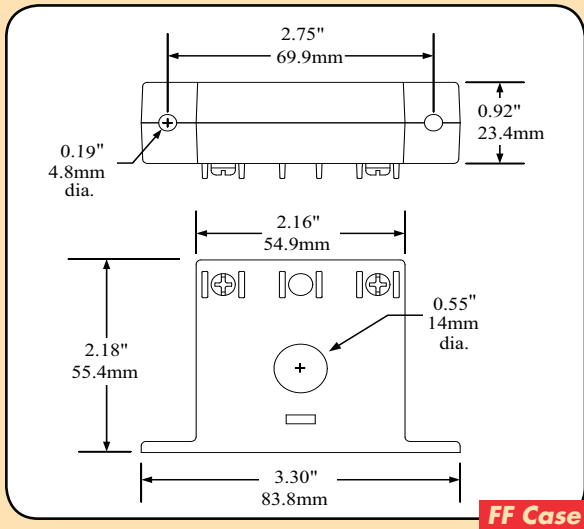
- Simple, two-screw panel mount or attach with optional DIN-rail brackets.

### Connections





## Dimensions



## Specifications

<b>Power Supply</b>	None—Self-powered		
<b>Output</b>	Magnetically Isolated Solid-State Switch		
<b>Output Rating</b>	<ul style="list-style-type: none"> <li>● N.O. Version: 0.15A @ 240VAC or VDC</li> <li>● N.C. Version: 0.2A @ 135VAC or VDC</li> <li>● Not polarity sensitive</li> </ul>		
<b>Off-State Leakage</b>	<10µA		
<b>Response Time</b>	120 ms		
<b>Setpoint Range</b>	<ul style="list-style-type: none"> <li>● Solid-core: 1–150A</li> <li>● Split-core: 1.75–150A</li> </ul>		
<b>Hysteresis</b>	5% of Setpoint		
<b>Overload</b>	MODEL	6 SEC	1 SEC
	● -GO(NOU)	● 500A	● 1000A
	● -GO(NCU)	● 400A	● 1000A
	● All other	● 400A	● 1000A
<b>Isolation Voltage</b>	UL Listed to 1270VAC, tested to 5000VAC		
<b>Frequency Range</b>	6–100Hz		
<b>Sensing Aperture</b>	<ul style="list-style-type: none"> <li>● -FF Case: 0.55" (14mm) dia.</li> <li>● -FT Case: 0.74" (19mm) dia.</li> <li>● -SP Case: 0.85" (21.6mm) sq.</li> </ul>		
<b>Case</b>	UL94 V0 Flammability Rated		
<b>Environmental</b>	-58 to 122°F (-50 to 50°C) 0–95% RH, non-condensing		



## Ordering Information

Sample Model Number: AS1-NOU-SP

Adjustable AC current operated switch, normally open, split-core.



### (1) Output Rating

NOU	Normally Open
NCU	Normally Closed

### (2) Case Style

FF	Solid-core, Front Term.
FT	Solid-core, Top Term.
SP	Split-core

### (3) Options

GO	Go/No-go Version (Fixed Setpoint)
NL	No LED
	With LED (Blank)