



AS1 DODC Series Current Operated Switches

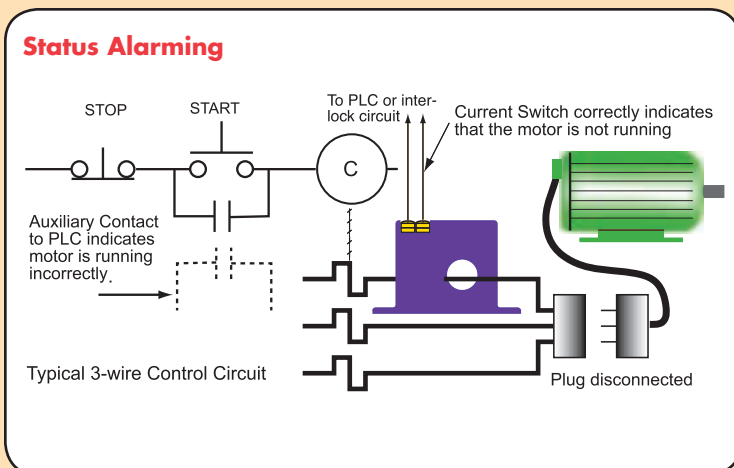
Applications

Equipment Motor Protection

- Sense brush motor overloads due to entanglements with bumpers, mirrors, guards, carriers, etc.
- Monitor pump motors for overloads or failure due to drive problems, restrictions, or dry run.
- Monitor blower motor status for under/over current conditions or to determine when multiple blowers are operating.
- Monitor booms or conveyor motors for overload due to obstructions.

High Inrush or Temporary Overload Current

- Start-up/delay timer provides two-second delay to avoid nuisance tripping from high inrush or temporary overload conditions.



AS1 DODC Series current relay with dual output is ideal for applications where users want to monitor multiple loads simultaneously and alarm when cumulative current draws reach or exceed desired setpoints. Combining the setpoint, LED indication and output functions of multiple sensors into one space-saving package, the AS1 DODC Series allows OEMs to tailor individual trip points to specific processes and trigger independent contacts. The AS1 DODC may serve as an effective over/undercurrent monitor by energizing alarm contacts whenever sensed current falls outside the low and high band setpoints.

Features

Fixed Start-up Delay and Adjustable Trip Timer

- Fixed start-up delay of 2 seconds reduces nuisance trips on inrush.

Choice of Dual Independent N.O. Relay Outputs

- Contact rating of 1A @ 30VDC provides adequate switching capacity for status or alarm indication in most motor control systems without shared common.

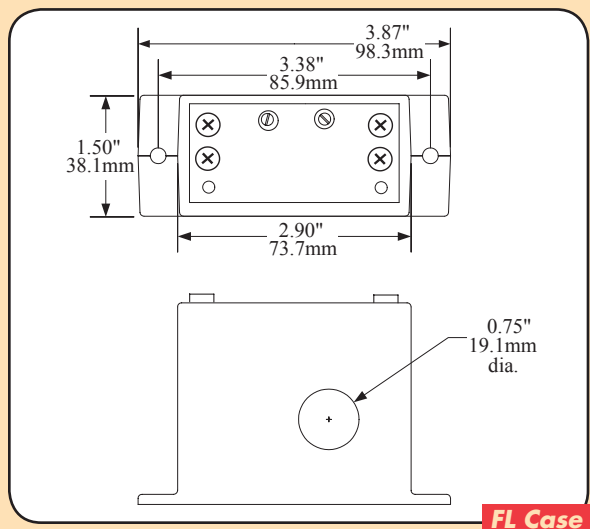
Improved Ease of Installation and Use

- Self-powered design eliminates power supply wiring.
- Multiple status LEDs give quick visual indication of sensor operation.
- Models available for low (0.75–20A) and mid-range (20–50A) applications.

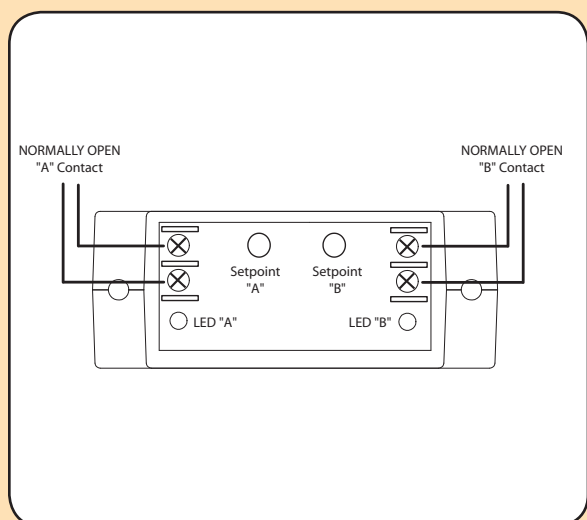
Industrial Grade Performance

- +/- 2% accuracy on setpoint, minimal hysteresis and fast response time deliver quality performance.

Dimensions



Connections



Specifications

Power Supply	None—Self-powered
Output	Dual N.O. Solid State Relays, polarity sensitive
Output Rating	1A @ 30VDC
Trip Point Range (adjustable)	<ul style="list-style-type: none"> ● AS1: 0.75–20A ● AS2: 20–50A
Time Delay	Start-up: 2.0 seconds (fixed)
Input Range	<ul style="list-style-type: none"> ● AS1: 0–20A ● AS2: 20–50A
Max Inrush	500A (5 sec. duration)
Hysteresis	<8% (max)
Response Time	100 ms
Isolation Voltage	1,250 VAC (monitored)
Case	UL94 V0 Flammability Rated
Environmental	-4 to 122°F (-20 to 50°C) 0–95% RH, non-condensing
Sensing Aperture	0.75" (19.1mm) diameter

Ordering Information

Sample Model Number: AS1-DODC-FL
 AC current switch, fixed 2 second delay, two N.O. 1A @ 30VDC outputs, 0.75–20A range, solid-core enclosure.

AS ⁽¹⁾ - ⁽²⁾ - ⁽³⁾

(1) Range

1	0.75–20A
2	20–50A

(2) Output Type

DODC	Dual N.O. 1A @ 30VDC
------	----------------------

(3) Case Style

FL	Solid-core
----	------------