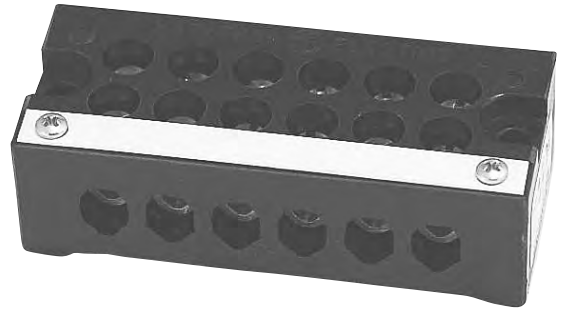


Heavy Duty Terminal Blocks

1100 Series - Deadfront Type

600 Volts AC/DC (UL/CSA)
630 Volts (CE)



1106

Specifications:

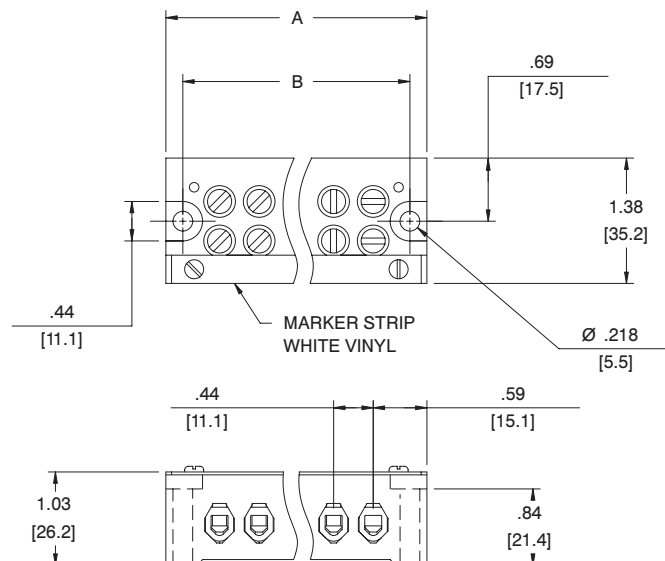
- Base, General Purpose Phenolic, 150°C (UL RTI)
- Connector, Aluminum Tin Plated
- Spring, Copper, Use 11XXS
- Screws, Brass, Tin Plated
- Current Rating up to **65 Amps**
- Wire Range #6 - #18 AWG CU
- Wire Range With Spring #6 - #14 AWG CU
- UL Recognized File No. XCFR2.E62806
- CSA Certified File No. LR19766
- **CE**
- RoHS Compliant

Catalog Number		# of Poles	Dimensions	
			A	B
1102	1102S	2	1.69	1.31
1104	1104S	4	2.50	2.12
1106	1106S	6	3.38	3.00
1107	1107S	7	3.88	3.50
1108	1108S	8	4.25	3.88
1112	1112S	12	6.00	5.62

S=Copper Pressure Spring

mm = dim X 25.4

See page 35 for DIN Rail Adapter



For electronic drawings or 2D/3D CAD data,
send request to drawings@marathonsp.com