

M Fuse Holders - 600 Volt⁺

Specifications:

- Tested and Approved for 100,000 Amp Withstand Rating and Short Circuit Withstand Rating
- Clip, Copper Alloy, Tin Plated
- Quick Connect Standard with Screw (S) or Sems Pressure (SP)
- UL Recognized File No. IZLT2.E35113
- CSA Certified File No. LR21455
- **CE** - Rated for 1000 Volts
- RoHS Compliant

+ Refer to www.marathonsp.com/PDFs/1000VCERating.pdf for details on availability of CE voltage ratings greater than 600 Volts



6M30A3SPQ

6M30A3B

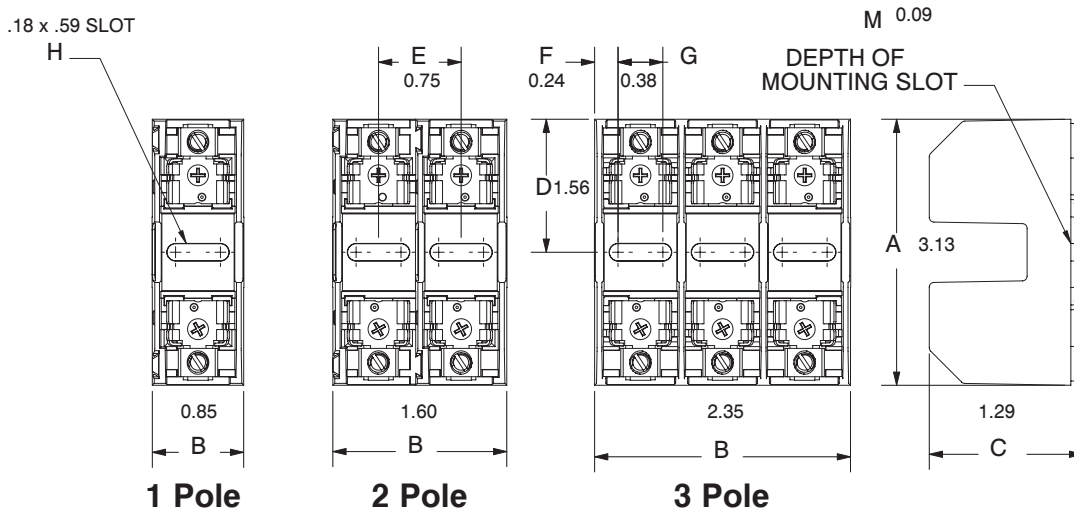
Catalog #:

Replace "X" with # of poles

| Standard | Reinforced | Poles (X) | Amps | Base Materials | Wire Range | Fuse Size | Fuses |
|-----------|------------|-----------|------|----------------|----------------|-------------------------|---|
| 6M30AXSQ | N/A | 1/2/3 | 30 | Thermoplastic | #10-#22 AWG CU | 13/32" DIA BY 1 1/2" | A13X-2, A25Z-2, A60Q-2, A6Y-2B, AGU, ATM, ATQ, BAF, BAN, BLF, BLN, BLS, FLA, FLM, FLQ, FNM, FNQ, GFN, GGO, KLK, KLKD, KLQ, KTK, OTM, TRM |
| 6M30AXSPQ | | | | | #10-#14 AWG CU | | |
| 6M30AXB | | | | | #6-#14 AWG CU | | |
| 6M30AXBCU | | | | | #6-#14 AWG CU | | |

See pages 33-34 for available covers
See page 35 for DIN Rail Adapter

For electronic drawings or 2D/3D CAD data,
send request to drawings@marathonsp.com



mm = dim X 25.4

Marathon Special Products fuse holders comply to new harmonized fuse holder standard 4248. Please refer to www.marathonsp.com for the latest updates.