

Class J Enclosed Fuse Holders

600 Volt

Specifications:

- Tested and Approved for 200,000 Amp Short Circuit Withstand Rating
- Touchsafe IEC Type Design (IP20)
- Blown fuse indicating type available (6SJ30AXI and 6SJ60AXI)
- Red dual LED indicator - range of operating voltage 110-600V AC/DC, use either polarity for DC application
- UL Listed File No. IZLT.E35113
- CSA Certified File No. LR21455
- **CE**
- RoHS Compliant



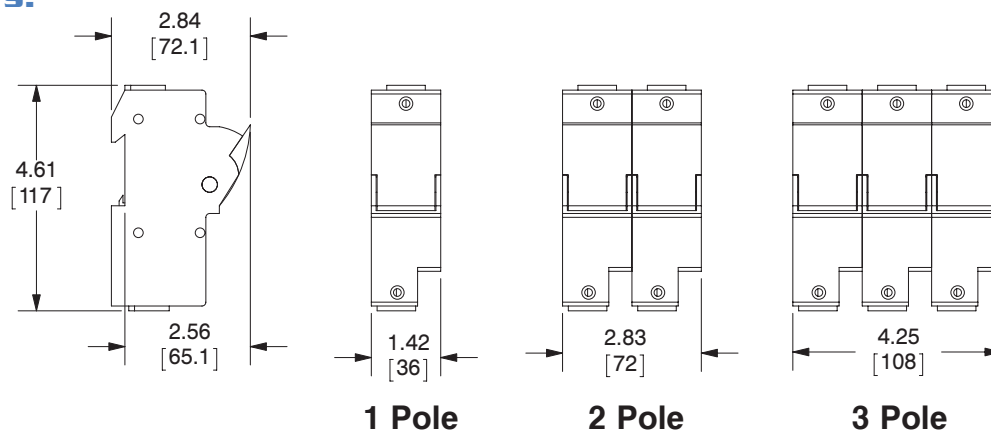
Shown left to right: 6SJ30A3I, 6SJ60A

Catalog #:

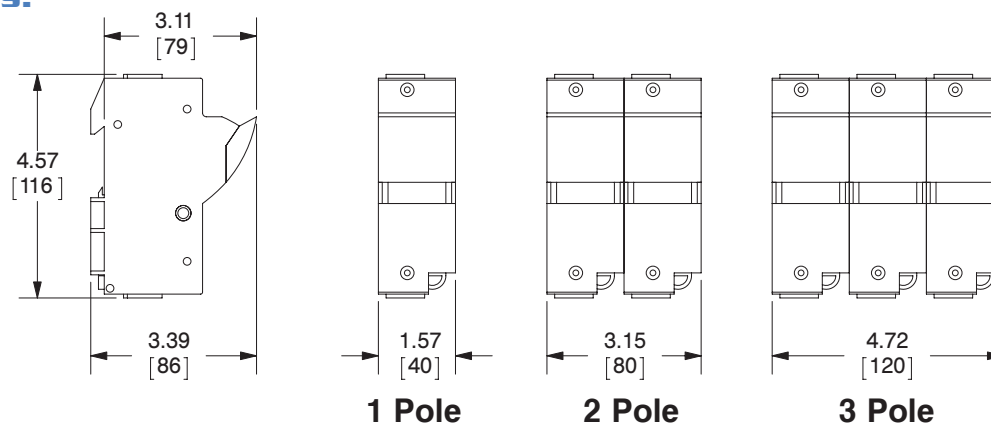
Replace "X" with # of poles

Standard	Poles (X)	Amps	Base Materials	Wire Range	Fuse Size	Fuses
6SJ30AX	1/2/3	30	Thermoplastic	#1 - #18 AWG or (2) #10-18 AWG <i>same size & construction</i>	13/16" DIA BY 2 1/4"	A4J, AJT JKS, JLS, JTD, JTD_ID, LPJ
6SJ30AXI						
6SJ60AX	1/2/3	60		#1 - #10 AWG or (2) #6-10 AWG <i>same size & construction</i>	1 1/16" DIA BY 2 3/8"	
6SJ60AXI						

30 AMPS:



60 AMPS:



Marathon Special Products fuse holders comply to new harmonized fuse holder standard 4248. Please refer to www.marathonsp.com for the latest updates.

For electronic drawings or 2D/3D CAD data, send request to drawings@marathonsp.com