

Class G Fuse Holders

Specifications:

- Have Been Tested & Approved for 100,000 Amp Interrupting Capacity
- Clip, Copper Alloy, Tin Plated with Patented Reject Member
- Quick Connect Standard with Screw (S) or Sems Pressure (SP)
- UL Listed File No. E35113
- CSA Certified File No. LR21455
- CE



1/2 - 15 Amps (600 Volt)

Catalog #: Std.	Reinforced	Poles	Amp	Base Materials	Wire Range	Fuse Size	Fuses
G15A1SQ	RG15A1SQ	1	15	Thermoplastic	#10-#22 AWG CU	13/32" DIA BY 1 5/16"	AG SC SLC
G15A2SQ	RG15A2SQ	2					
G15A3SQ	RG15A3SQ	3					
G15A1SPQ	RG15A1SPQ	1			#10-#14 AWG CU		
G15A2SPQ	RG15A2SPQ	2					
G15A3SPQ	RG15A3SPQ	3					
G15A1B	RG15A1B	1			#6-#14 AWG CU		
G15A2B	RG15A2B	2					
G15A3B	RG15A3B	3					
G15A1BCU	RG15A1BCU	1					
G15A2BCU	RG15A2BCU	2					
G15A3BCU	RG15A3BCU	3					

20 Amps (600 Volt)

Catalog #: Std.	Reinforced	Poles	Amp	Base Materials	Wire Range	Fuse Size	Fuses
G20A1SQ	RG20A1SQ	1	20	Thermoplastic	#10-#22 AWG CU	13/32" DIA BY 1 13/32"	AG SC SLC
G20A2SQ	RG20A2SQ	2					
G20A3SQ	RG20A3SQ	3					
G20A1SPQ	RG20A1SPQ	1			#10-#14 AWG CU		
G20A2SPQ	RG20A2SPQ	2					
G20A3SPQ	RG20A3SPQ	3					
G20A1B	RG20A1B	1			#6-14 AWG CU		
G20A2B	RG20A2B	2					
G20A3B	RG20A3B	3					
G20A1BCU	RG20A1BCU	1					
G20A2BCU	RG20A2BCU	2					
G20A3BCU	RG20A3BCU	3					

25 - 30 Amps (480 Volt)

Catalog #: Std.	Reinforced	Poles	Amp	Base Materials	Wire Range	Fuse Size	Fuses
G30A1SQ	RG30A1SQ	1	30	Thermoplastic	#10-#22 AWG CU	13/32" DIA BY 1 5/8"	AG SLC SC
G30A2SQ	RG30A2SQ	2					
G30A3SQ	RG30A3SQ	3					
G30A1SPQ	RG30A1SPQ	1			#10-#14 AWG CU		
G30A2SPQ	RG30A2SPQ	2					
G30A3SPQ	RG30A3SPQ	3					
G30A1B	RG30A1B	1			#6-#14 AWG CU		
G30A2B	RG30A2B	2					
G30A3B	RG30A3B	3					
G30A1BCU	RG30A1BCU	1					
G30A2BCU	RG30A2BCU	2					
G30A3BCU	RG30A3BCU	3					

Class J, G, M, CC Fuse Holder Dimensions

		Figure	A	B	C	D	E	F	G	H	I	J	K	L	M	EXPANDER
6J30A R6J30A	1 POLE	FIG 1	3.38	1.16	1.95	1.69	1.04	0.30	0.57	.22 X .79 SLOT	N/A	N/A	N/A	N/A	0.24	YES
	2 POLE			2.20												
	3 POLE			3.25												
6J60A R6J60A	1 POLE	SEE FIGURE #3														
	2 POLE															
	3 POLE															
R6J100A	1 POLE	FIG 2	5.06	2.25	2.06	2.53	1.50	0.38	N/A	N/A	N/A	N/A	0.28 THRU 0.53 C'BORE	N/A	N/A	N/A
	3 POLE	FIG 2A	5.13	5.36	2.65	2.56	1.93	N/A	N/A	N/A	N/A	N/A	N/A	N/A	N/A	N/A
6J200A	1 POLE	FIG 2	6.13	3.00	2.68	3.06	2.00	0.50	N/A	N/A	N/A	N/A	N/A	0.34 THRU 0.75 X .40 C'BORE	0.23	NO
	3 POLE			8.00	N/A	N/A	N/A	2.22	1.69	0.50	7.00					
6M30A 6CC30A G30A	1 POLE	FIG 1	3.13	0.85	1.29	1.56	0.75	0.24	0.38	.18 X .59 SLOT	N/A	N/A	N/A	N/A	0.09	NO
	2 POLE			1.60												
	3 POLE			2.35												
R6CC60A	1 POLE	FIG 1	3.35	1.11	1.89	1.68	1.01	0.27	0.57	.18 X .74 SLOT	N/A	N/A	N/A	N/A	0.09	YES
	2 POLE			2.12												
	3 POLE			3.12												
6J400A	1 POLE	FIG 4	10.00	3.00	3.31	2.00	4.00	2.00	0.50	N/A	N/A	N/A	0.28 THRU .56 X .44 C'BORE	.19	—	NO
	3 POLE			9.32				6.00	1.66							
6J600A	1 POLE	FIG 5	11.75	4.00	4.38	2.38	4.69	1.75	1.13	N/A	N/A	N/A	.291 THRU .58 X .19 C'BORE	.19	—	NO
	3 POLE			12.00				11.00	1.50							

MM = Dim X 25.4

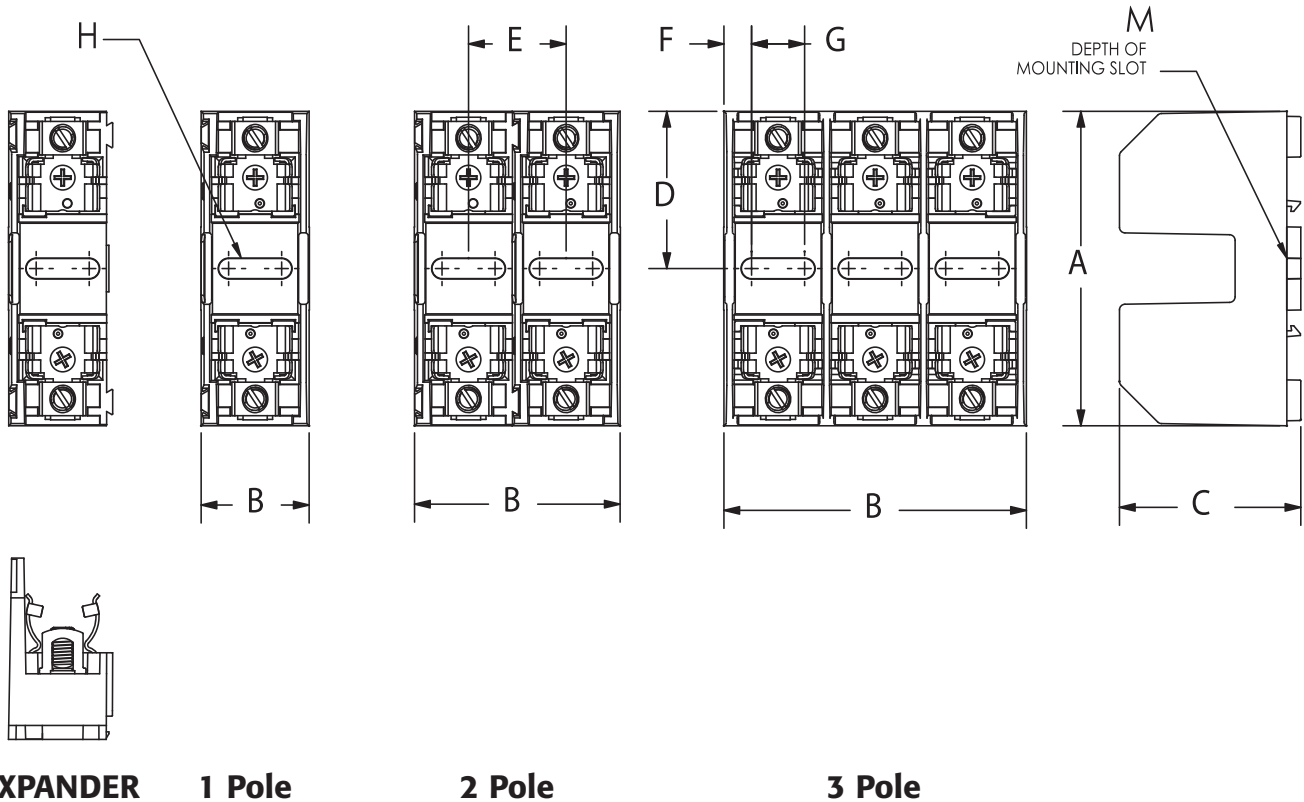
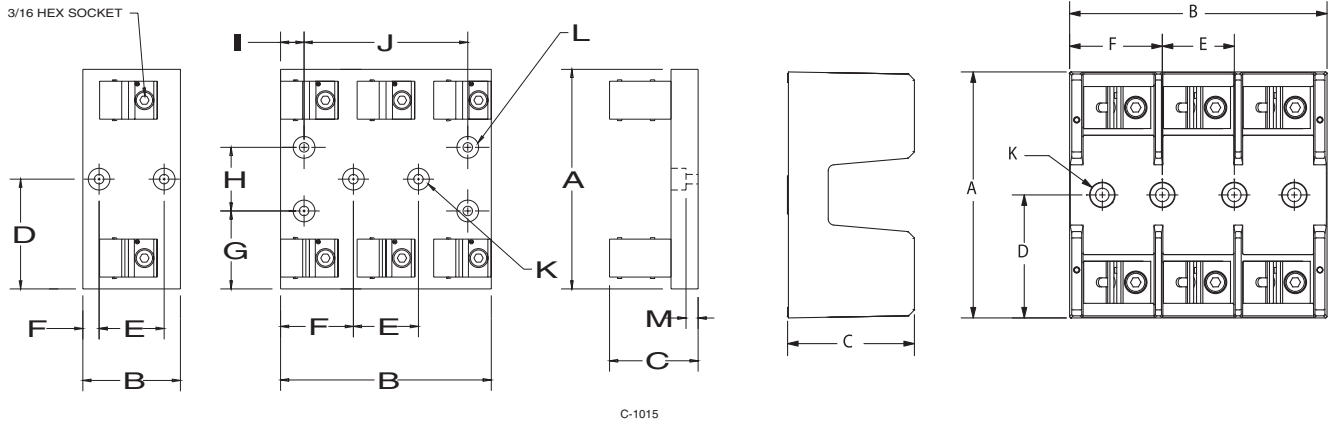


Figure 1:

Class J, G, M, CC Fuse Holder Dimensions

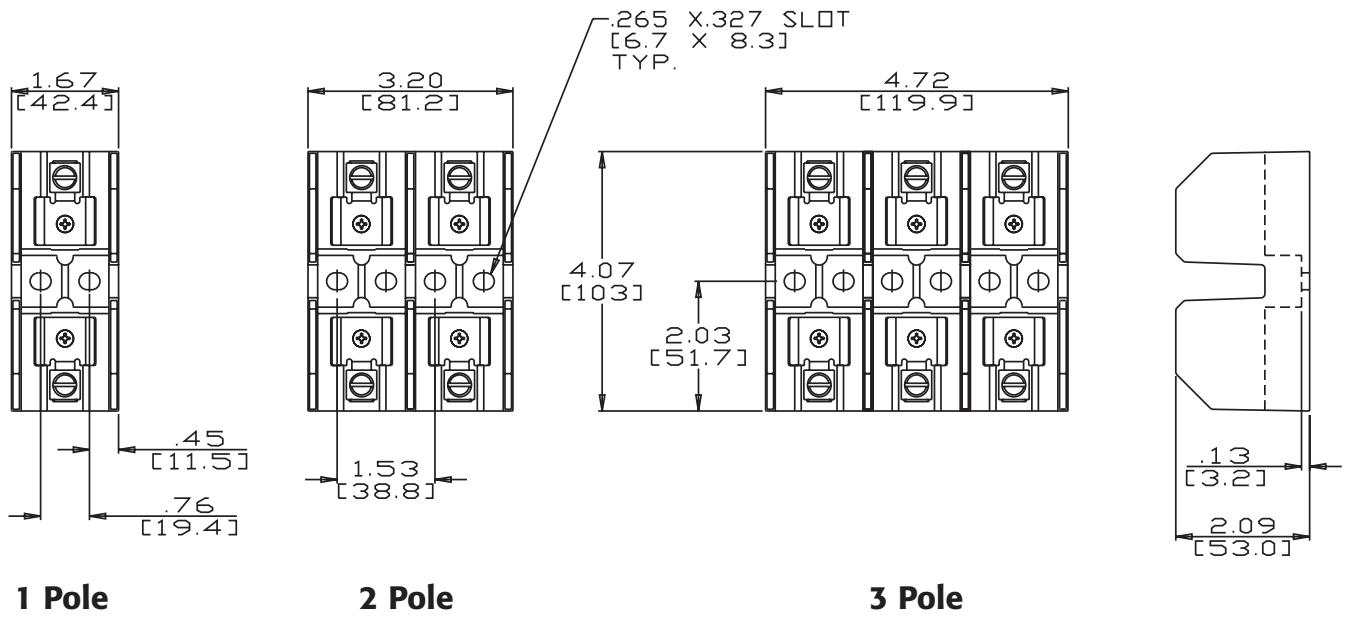


1 Pole

3 Pole

Figure 2:

Figure 2A:



1 Pole

2 Pole

3 Pole

Figure 3:

Class J, G, M, CC Fuse Holder Dimensions

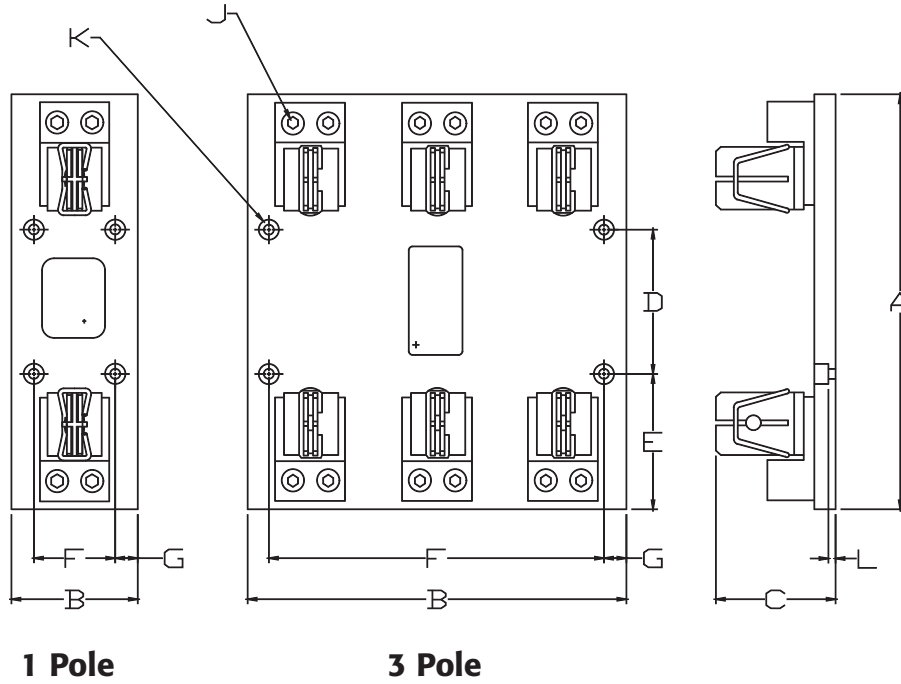


Figure 4:

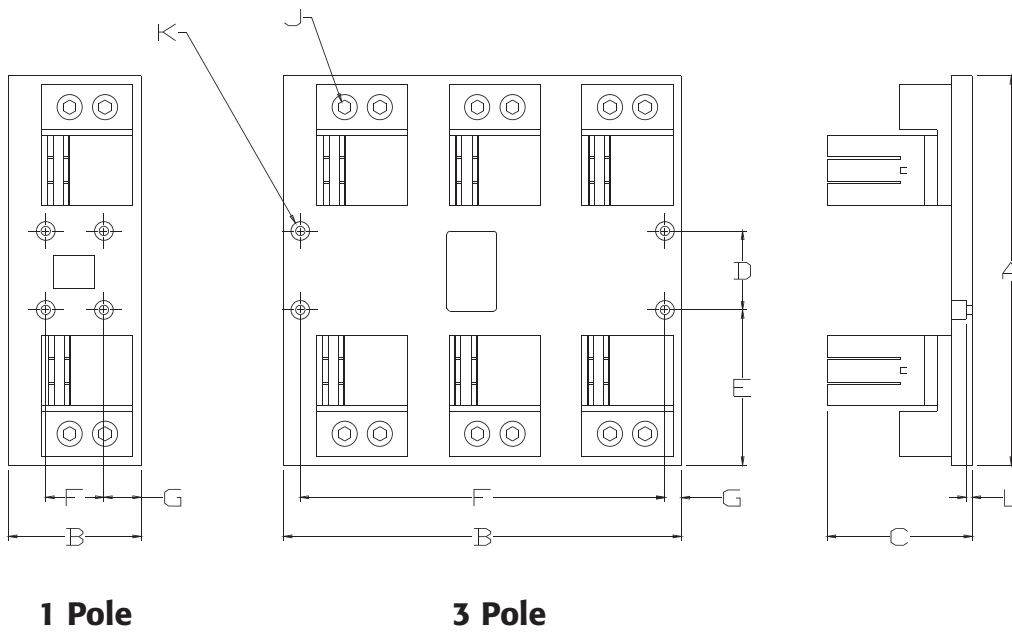


Figure 5: