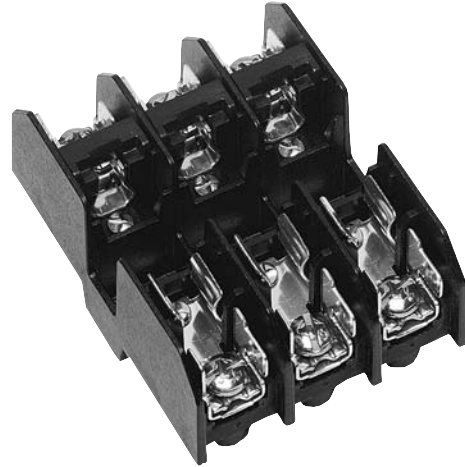


# CC Fuse Holders - 600 Volt

## Specifications:

### 30 Amp:

- Have Been Tested & Approved for 200,000 Amp Interrupting Capacity
- Clip, Copper Alloy, Tin Plated with Patented Reject Member
- Quick Connect Standard with Screw (S) or Sems Pressure (SP)
- UL Listed File No. E35113
- CSA Certified File No. LR21455
- CE



### 60 Amp:

- Have Been Tested & Approved for 200,000 Amp Interrupting Capacity
- Patented Cool-Clip® Design
- Clip, Copper Alloy, Tin Plated with Patented Reject Member
- Integral DIN Rail Mount
- Expander Block Available
- UL Listed File No. E35113, Class CD
- CSA Certified File No. LR21455-91
- CE

## Catalog #:

Std.	Reinforced	Poles	Amp	Base Materials	Wire Range	Fuse Size	Fuses
6CC30A1SQ	N/A	1	30	Thermoplastic	#10-#22 AWG CU	13/32" DIA BY 1 1/2"	ATDR ATMR ATQR CCMR FRQ-R KLDR KLKR KTK-R LP-CC
6CC30A2SQ		2					
6CC30A3SQ		3					
6CC30A1SPQ		1			#10-#14 AWG CU		
6CC30A2SPQ		2					
6CC30A3SPQ		3					
6CC30A1B		1			#6-#14 AWG CU		
6CC30A2B		2					
6CC30A3B		3					
6CC30A1BCU		1			#2-#14 AWG CU #2-#12 AWG AL		
6CC30A2BCU		2					
6CC30A3BCU		3					
R6CC60A1B	SAME	1	60			0.70" DIA BY 1.85"	
R6CC60A2B		2					
R6CC60A3B		3					
R6CC60AEB		EXPANDER					

# Class J, G, M, CC Fuse Holder Dimensions

		Figure	A	B	C	D	E	F	G	H	I	J	K	L	M	EXPANDER
6J30A R6J30A	1 POLE	FIG 1	3.38	1.16	1.95	1.69	1.04	0.30	0.57	.22 X .79 SLOT	N/A	N/A	N/A	N/A	0.24	YES
	2 POLE			2.20												
	3 POLE			3.25												
6J60A R6J60A	1 POLE	SEE FIGURE #3														
	2 POLE															
	3 POLE															
R6J100A	1 POLE	FIG 2	5.06	2.25	2.06	2.53	1.50	0.38	N/A	N/A	N/A	N/A	0.28 THRU 0.53 C'BORE	N/A	N/A	N/A
	3 POLE	FIG 2A	5.13	5.36	2.65	2.56	1.93	N/A	N/A	N/A	N/A	N/A	N/A	N/A	N/A	N/A
6J200A	1 POLE	FIG 2	6.13	3.00	2.68	3.06	2.00	0.50	N/A	N/A	N/A	N/A	N/A	0.34 THRU 0.75 X .40 C'BORE	0.23	NO
	3 POLE			8.00	N/A	N/A	N/A	2.22	1.69	0.50	7.00	N/A	N/A	N/A	N/A	N/A
6M30A 6CC30A G30A	1 POLE	FIG 1	3.13	0.85	1.29	1.56	0.75	0.24	0.38	.18 X .59 SLOT	N/A	N/A	N/A	N/A	0.09	NO
	2 POLE			1.60												
	3 POLE			2.35												
R6CC60A	1 POLE	FIG 1	3.35	1.11	1.89	1.68	1.01	0.27	0.57	.18 X .74 SLOT	N/A	N/A	N/A	N/A	0.09	YES
	2 POLE			2.12												
	3 POLE			3.12												
6J400A	1 POLE	FIG 4	10.00	3.00	3.31	2.00	4.00	2.00	0.50	N/A	N/A	N/A	0.28 THRU .56 X .44 C'BORE	.19	—	NO
	3 POLE			9.32				6.00	1.66							
6J600A	1 POLE	FIG 5	11.75	4.00	4.38	2.38	4.69	1.75	1.13	N/A	N/A	N/A	.291 THRU .58 X .19 C'BORE	.19	—	NO
	3 POLE			12.00				11.00	1.50							

MM = Dim X 25.4

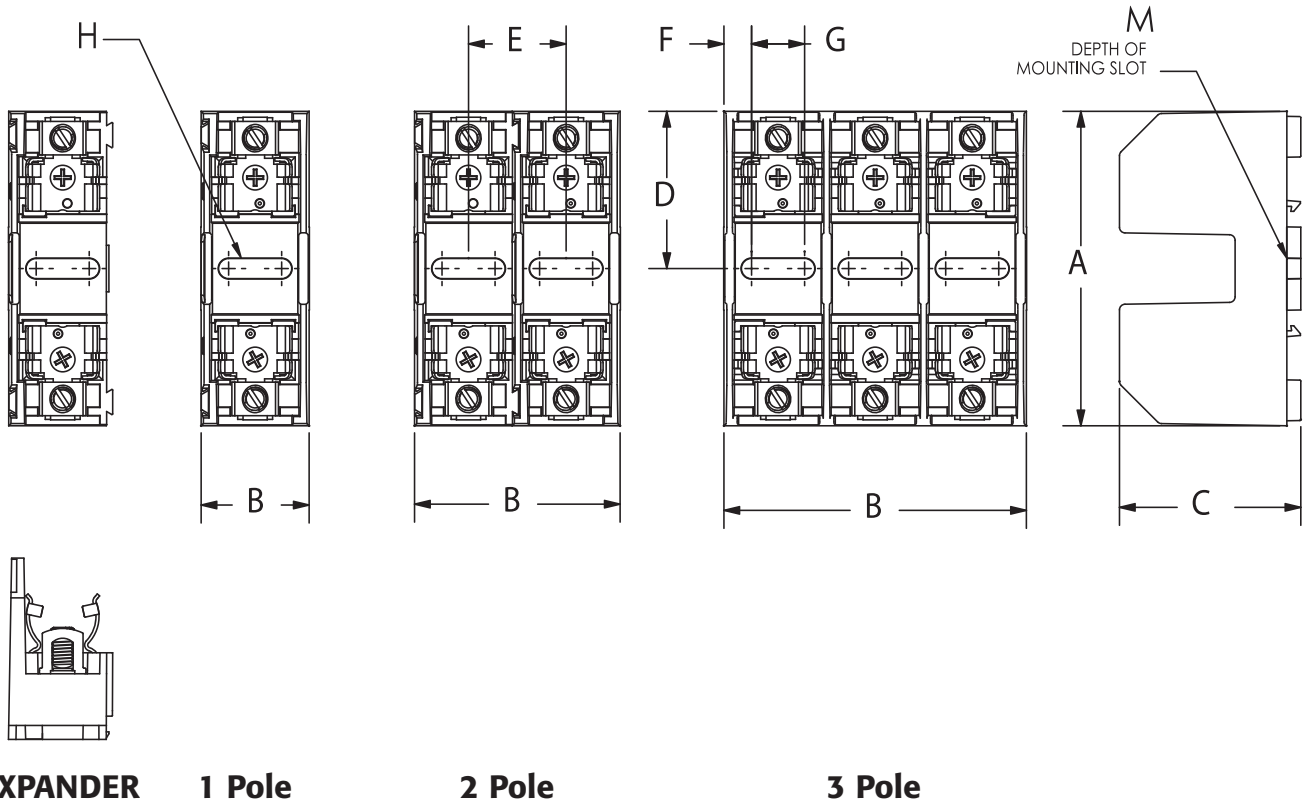
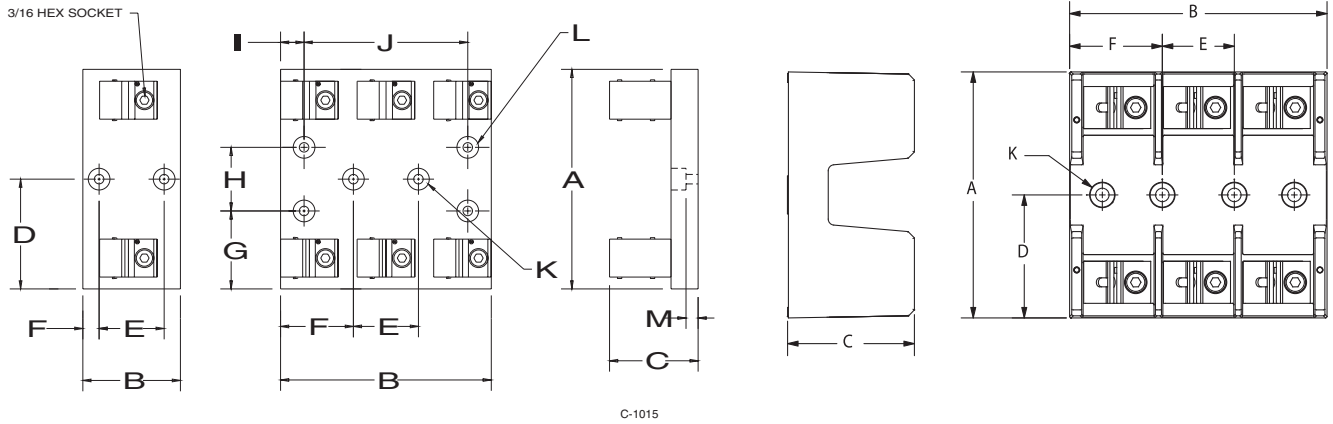


Figure 1:

# Class J, G, M, CC Fuse Holder Dimensions

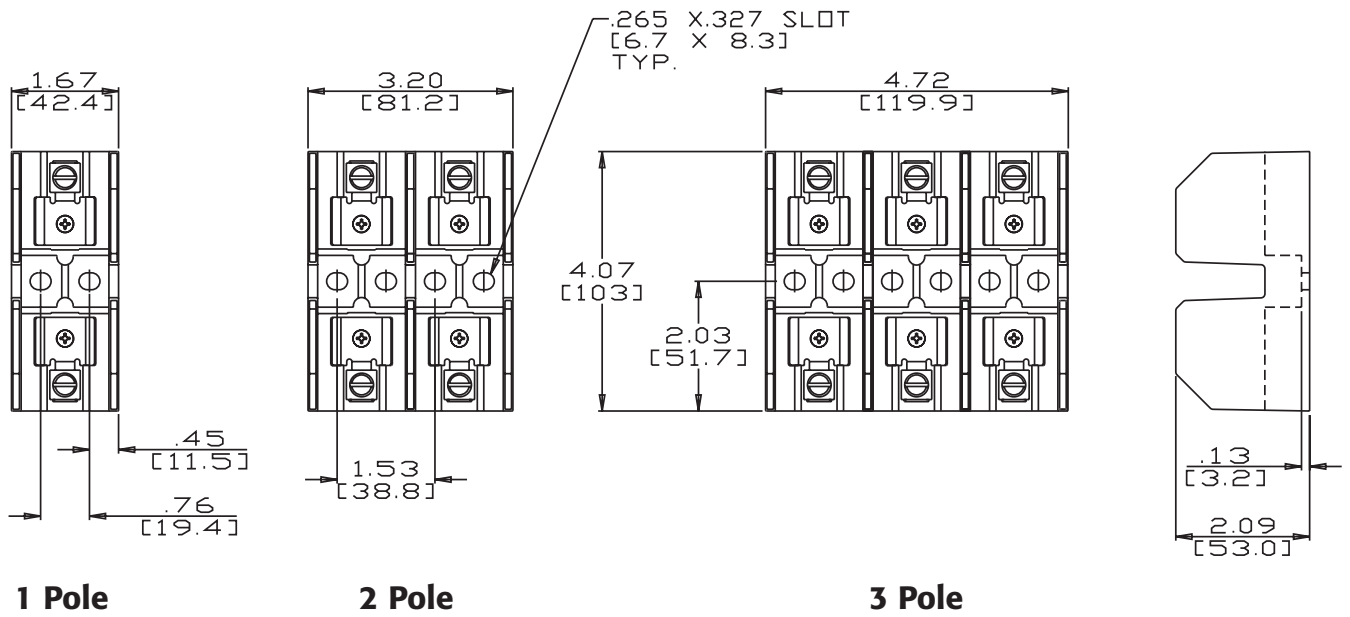


1 Pole

3 Pole

Figure 2:

Figure 2A:



1 Pole

2 Pole

3 Pole

Figure 3:

# Class J, G, M, CC Fuse Holder Dimensions

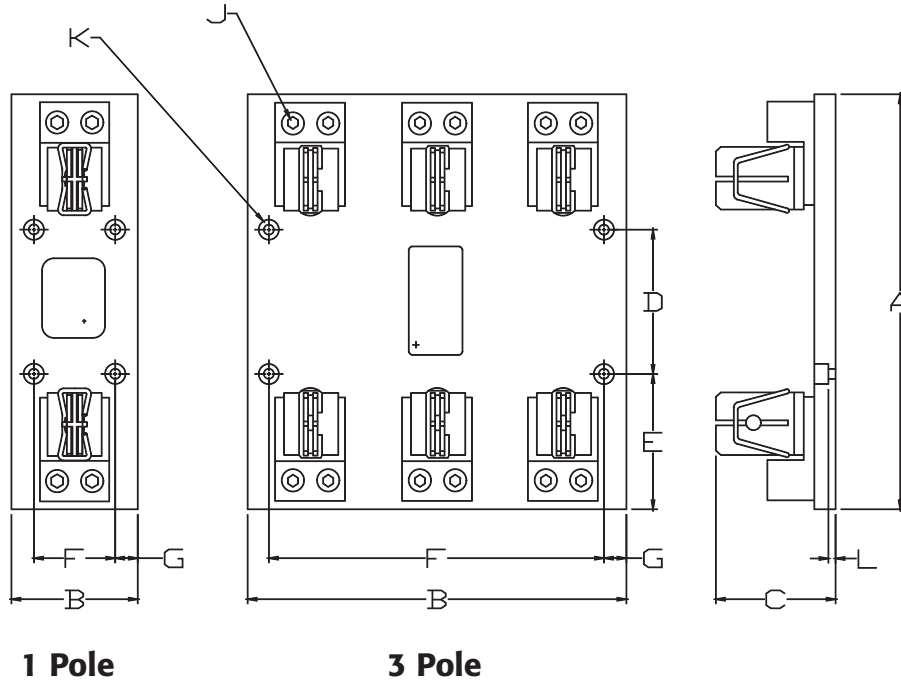


Figure 4:

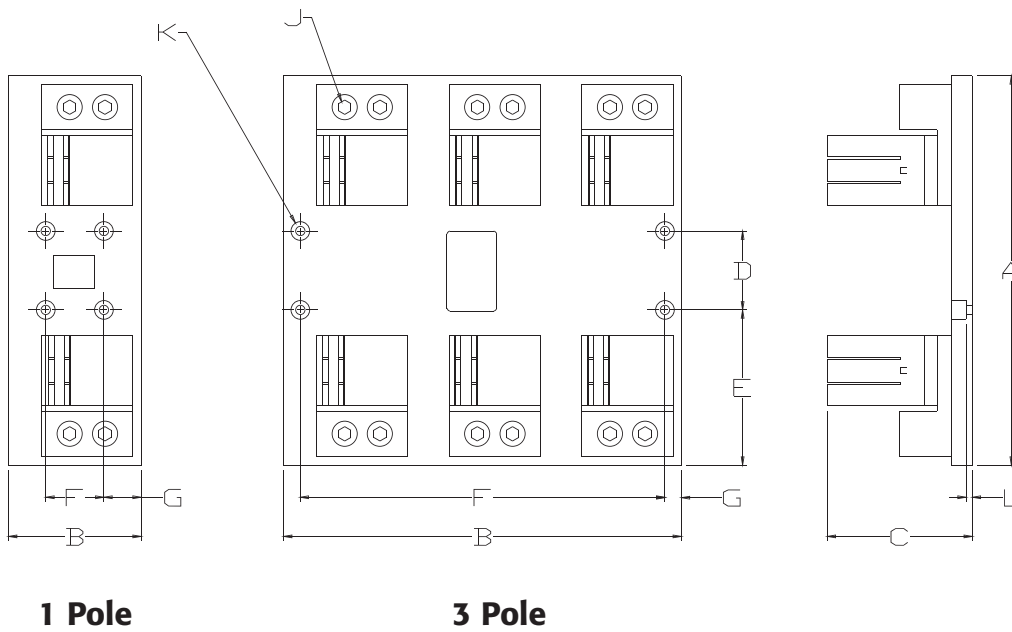


Figure 5: