

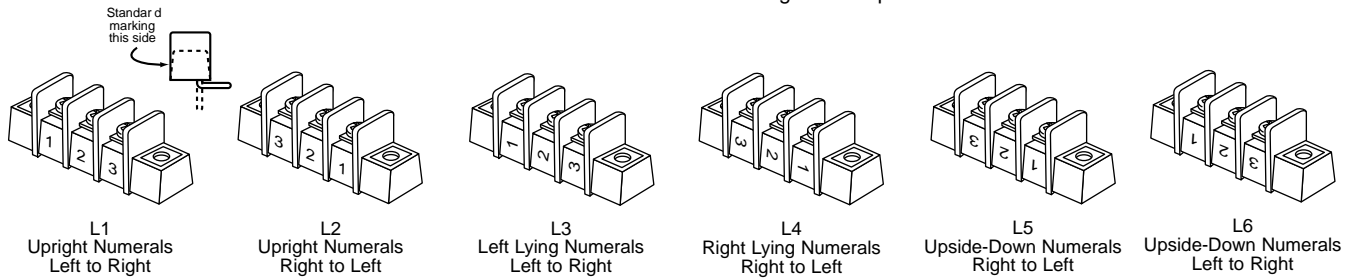
All Series Marking Options Single Row Terminal Blocks

Marking Options & Accessories

Standard Marking

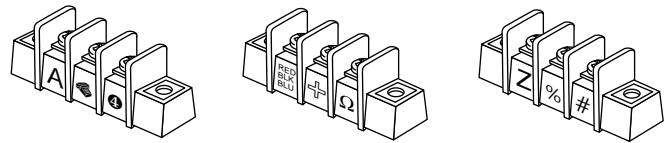
Markings are applied directly to the sides of Series 1000, 2000, 3000, 4000 & 5000. Standard characters are white and 1/8" high. Factory may substitute 3/32" high characters.

Blocks to be marked on both sides require a different code for each side. Example: "L1" on one side of the block requires "L2" on the other side to ensure common terminal marking. Specify by adding suffix to part no.



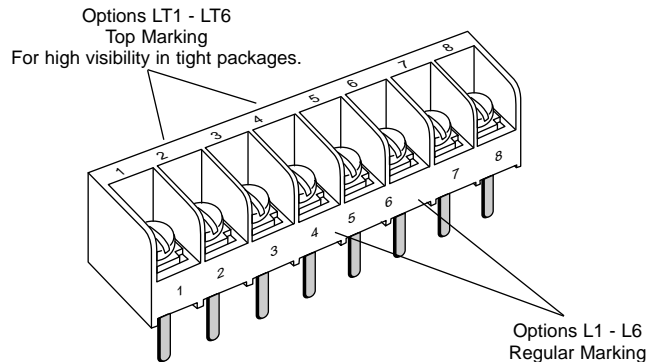
Special Marking

Special markings are available for Series 1000, 2000, 3000, 4000 & 5000 at an additional charge for preparation. Production charges for setup, handling and marking are the same as for standard marking and the same quantity discounts apply. Consult factory for price and delivery.



Closed Barrier Terminal Block Marking Options

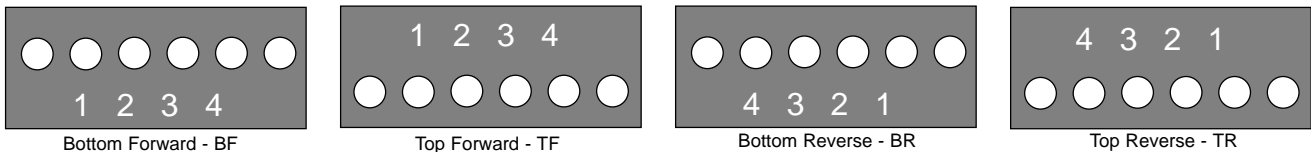
- L1 & LT1 = Upright numerals, numbered from left to right
- L2 & LT2 = Upright numerals, numbered from right to left
- L3 = Left lying numerals, numbered from left to right
- L4 = Right lying numerals, numbered from right to left
- L5 & LT5 = Upside down numerals, numbered from right to left
- L6 & LT6 = Upside down numerals, numbered from left to right



Marker Strips

Black marker strips with white numerals mount beneath the terminal blocks to clearly identify terminal and wire positions. Available with

forward or reverse markings, top or bottom of strip. If special markings are required, submit a drawing.



Series

M 6 n n

- MS1 - 1000 Series
- MS2 - 2000 Series
- MS3 - 3000 Series

Base

n

- 1 - mount end, feed thru
- 2 - barrier end, feed thru
- 3 - mount end, insulator tubes
- 4 - barrier end, insulator tubes
- 5 - mount end, non feed-thru

Poles

n n

- 02 to 36

Marking

n n

- BF - bottom forward
- TF - top forward
- BR - bottom reverse
- TR - top reverse