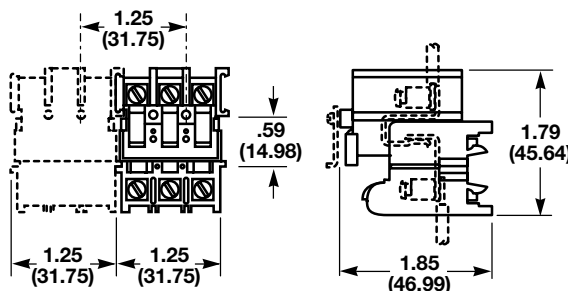


PLU3

Inches (Millimeters)

SPECIFICATIONS

Rating: 40A, 600V; UL/CSA
Center spacing: .390" (9.91)
Number of poles: 3
Circuits per foot: 28
Circuit jumper: JN3, 2 circuits
Wire size: AWG #8-22 CU
Screw size: #8-32
Mounting options: C-rail, Stackable
Marking tape: MT12-1/2
Torque rating: 18 in/lb max.
Operating temperature: 105°C



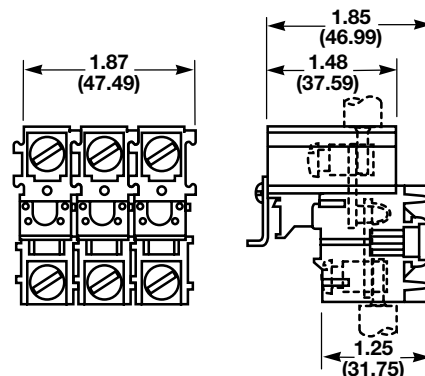
BIF document: 1409

PLU1 Series

Inches (Millimeters)

SPECIFICATIONS

Rating: 70A, 600V; UL/CSA
Center spacing: .625" (15.88)
Number of poles: 1-3
 PLU1 (1 pole)
 PLU11 (2 pole)
 PLU111 (3 pole)
Circuits per foot: 19
Circuit jumper: JN1, 2 circuits
Wire size: AWG #4-18 CU
Screw size: 1/4-28
Mounting options: C-rail, Stackable
Marking tape: MT12-1/2
Torque rating: 32 in/lb max.
Operating temperature: 105°C



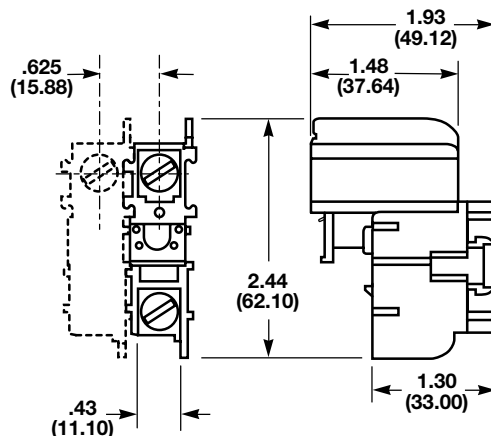
BIF document: 1410

PSU1 Series

Inches (Millimeters)

SPECIFICATIONS

Rating: 45A*, 600V; UL/CSA
 *45A rating achieved with ring terminal crimped to wire.
Center spacing: .625" (15.88)
Number of poles: 1-3
 PSU1 (1 pole)
 PSU11 (2 pole)
 PSU111 (3 pole)
Circuits per foot: 19
Wire size: For use with crimp on connectors only.
Screw size: #10-32
Mounting options: C-rail, Stackable
Marking tape: MT12-1/2
Torque rating: 32 in/lb max.
Operating temperature: 105°C



BIF document: 1411

