

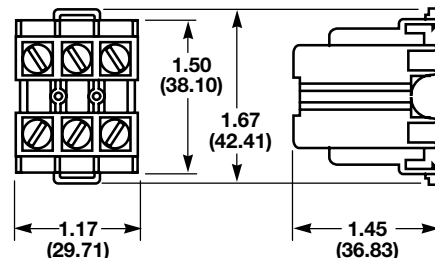
## Rail Mount Terminal Blocks

### NDN63

Inches (Millimeters)

#### SPECIFICATIONS

**Rating:** 65A, 600V; UL/CSA  
**Center spacing:** .375" (9.52)  
**Number of poles:** 3  
**Circuits per foot:** 30  
**Circuit jumper:** JN3, 2 circuits  
**Wire size:** AWG #6-18 CU  
**Screw size:** #10-32  
**Mounting options:** 35mm DIN rail, C-rail  
**Marking tape:** MT12-1/2  
**Torque rating:** 35 in/lb max.  
**Operating temperature:** 105°C

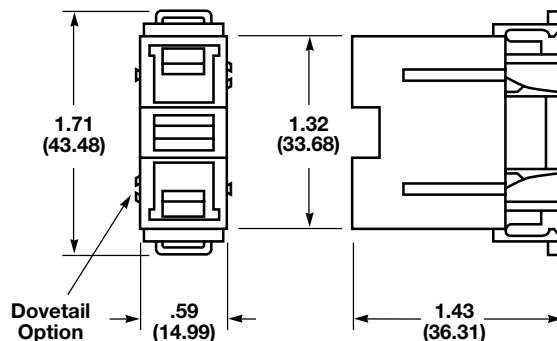


### NDN1

Inches (Millimeters)

#### SPECIFICATIONS

**Rating:** 90A, 600V  
**Center spacing:** .635" (16.13)  
**Number of poles:** 1  
**Circuits per foot:** 18  
**Wire size:** AWG #2-18 CU  
**Screw size:** 1/4-28  
**Mounting options:** 35mm DIN rail, C-rail  
 \* Dove-tail option is available for mounting side-by-side. Order part no. NDN1-A.  
**Marking tape:** MT12-1/2  
**Torque rating:** 32 in/lb max.  
**Operating temperature:** 105°C



### NDN111

Inches (Millimeters)

#### SPECIFICATIONS

**Rating:** 90A, 600V; UL/CSA  
**Center spacing:** .635" (16.13)  
**Number of poles:** 3  
**Circuits per foot:** 18  
**Circuit jumper:** JN1, 2 circuits  
**Wire size:** AWG #2-18 CU  
**Screw size:** 1/4-28  
**Mounting options:** 35mm DIN rail, C-rail, Base Mount. \* Dove tail option is available for mounting side-by-side. Order part no. NDN111-A.  
**Marking tape:** MT12-1/2  
**Torque rating:** 32 in/lb max.  
**Operating temperature:** 105°C

