

Disconnect Blocks

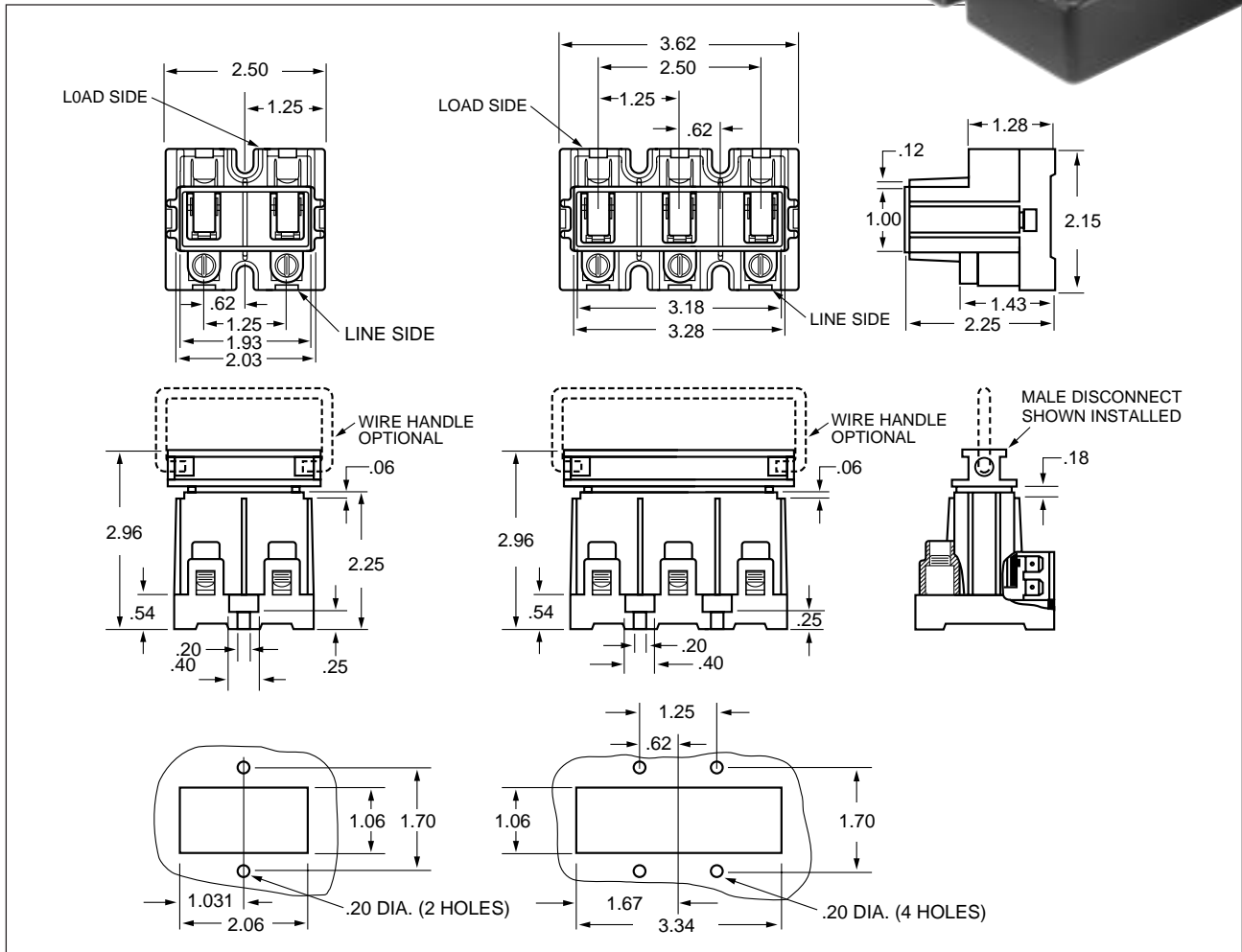
Nonfused, Disconnects

- Ratings: 60A, 240V
- Wire Range: #2-14 CU/#8 AL
- Available in both 2 and 3 pole versions for both single and three phase systems.
- Compact, one-piece thermoplastic housing is rated to 150°C.
- Box connector or quick-connect terminations available on load side. Box connector standard on line side.
- Body of disconnect can be mounted enabling disconnect head (pull-out) to interlock with door to insure power is off when door is open.
- UL E120756; CSA LR 37129; CE Pending.



Part Numbering System

Series	Poles	Line Side Connections	Load Side Connections	Options
N D - 1 2 6 0	<input type="checkbox"/>	<input type="checkbox"/>	<input type="checkbox"/>	<input type="checkbox"/>
	2 3	C = Box Connection	C = Box Connection Q = (4) .250" Quick-Connects	H = Wire Handle



BIF document: 1435

