

## Base Mount Terminal Blocks

### KT3

Inches (Millimeters)

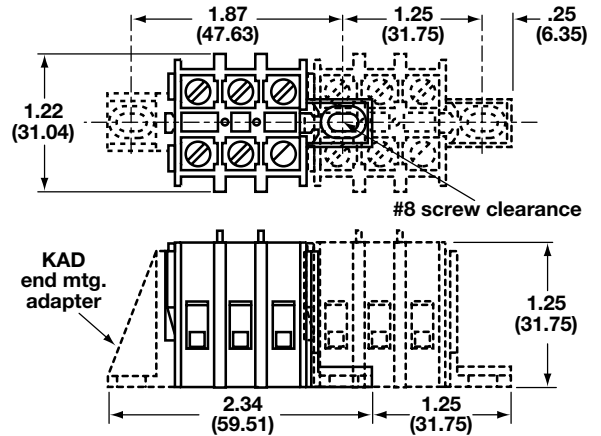
#### SPECIFICATIONS

**Rating:** 40A, 600V; UL/CSA  
**Center spacing:** .390" (9.91)  
**Number of poles:** 3  
**Circuits per foot:** 28  
**Circuit jumper:** JN3, 2 circuits  
**Wire size:** #8-22 CU  
**Screw size:** #8-32  
**Mounting options:** Base Mount, Stackable  
**Marking tape:** MT12-1/2  
**Torque rating:** 18 in/lb max.  
**Operating temperature:** 105°C



KAD

BIF document: 1412 End Mount Adapter Optional

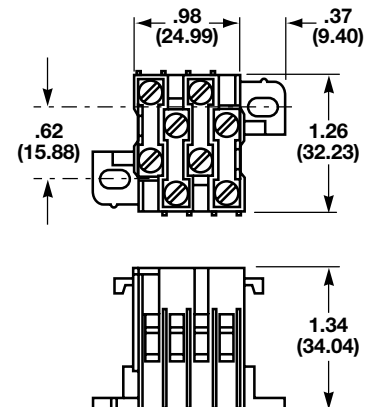


### KT4

Inches (Millimeters)

#### SPECIFICATIONS

**Rating:** 30A, 600V; UL/CSA  
**Center spacing:** .250" (6.35)  
**Number of poles:** 4  
**Circuits per foot:** 48  
**Circuit jumper:** JN4, 4 circuits  
**Wire size:** AWG #10-22 CU  
**Screw size:** #6-32  
**Mounting options:** Base Mount  
 Mounting screws recommended every 12 circuits.  
**Marking tape:** MTC6  
**Torque rating:** 18 in/lb max.  
**Operating temperature:** 105°C



BIF document: 1413

### PLK3

Inches (Millimeters)

#### SPECIFICATIONS

**Rating:** 40A, 600V; UL  
**Center spacing:** .390" (9.91)  
**Number of poles:** 3  
**Circuits per foot:** 28  
**Circuit jumper:** JN3, 2 circuits  
**Wire size:** AWG #8-22 CU  
**Screw size:** #8-32  
**Mounting options:** Base Mount, Stackable; End Piece (Part No. KAD) is required for mounting. Mounting screws recommended every 15 circuits.  
**Marking tape:** MT12-1/2  
**Torque rating:** 18 in/lb max.  
**Operating temperature:** 105°C



KAD

End Mount Adapter Required

BIF document: 1414

