

EM5015 Series Euro-Mag Terminal Blocks

Depluggable Block
(Mates with EM5025 Header) 5.00 Centers

SPECIFICATIONS

- Rating:** 10A, 300V
- Center Spacing:** .197" (5.00)
- Wire Size:** #14-24 AWG
- Housing Material:** Blue Polyester 94VO
- Contact Material:** Tin Plated Brass
- Screw Size:** M 2x6 Chromatized Steel
- Operating Temperature:** 105°C (221°F) max., -40°C (-40°F) min.
- Torque Rating:** 3.0 in-lb.
- Construction:** Modular design features dove-tails for interlocking to achieve longer lengths.
- Agency Approvals:** UL E62622; CSA Pending; CE Certified

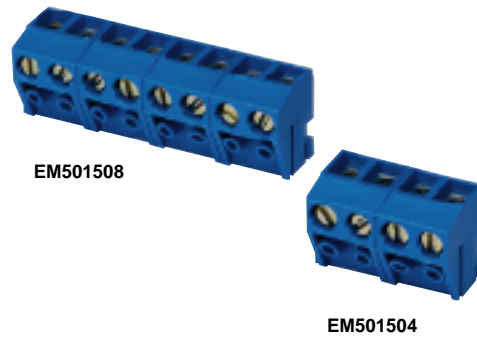
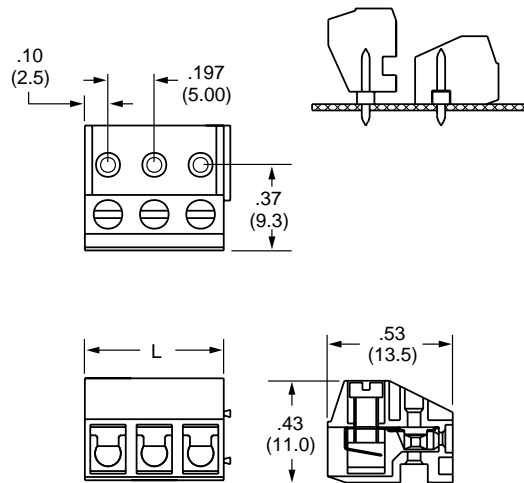


TABLE A

Poles	L (mm)	Poles	L (mm)
2	10.00	14	70.00
3	15.00	15	75.00
4	20.00	16	80.00
5	25.00	17	85.00
6	30.00	18	90.00
7	35.00	19	95.00
8	40.00	20	100.00
9	45.00	21	105.00
10	50.00	22	110.00
11	55.00	23	115.00
12	60.00	24	120.00
13	65.00		

To convert to inches, divide by 25.4

EM5015 Series



Part Numbering System

Series # of Poles

EM5015 **nn**

02 to 24