

MAGNUM®

EM3573 Series Euro-Mag Terminal Blocks

Header (Mates with EM3563
Depluggable Block), 3.81 Centers

SPECIFICATIONS

Rating: 10A, 125V

Center Spacing: .150" (3.81 mm)

Consult factory for .300" (7.62 mm)

Housing Material: Green Polyamide Type 6/6, 94VO

Contact Material: Brass Tin Plated

Operating Temperature: 105°C (221°F) max., -40°C (-40°F) min.

Recommended PCB Hole Diameters: .055" (1.40)

Construction: Mold to Length

Approvals: UL & CSA Approvals Pending; CE Certified

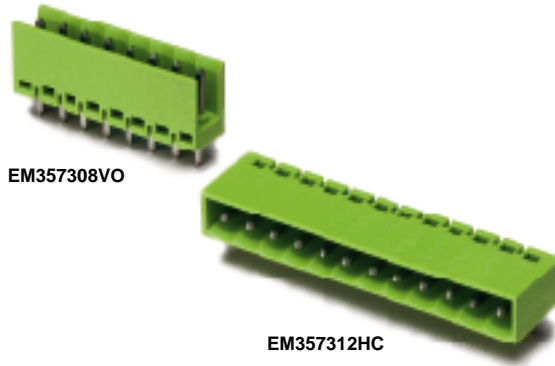
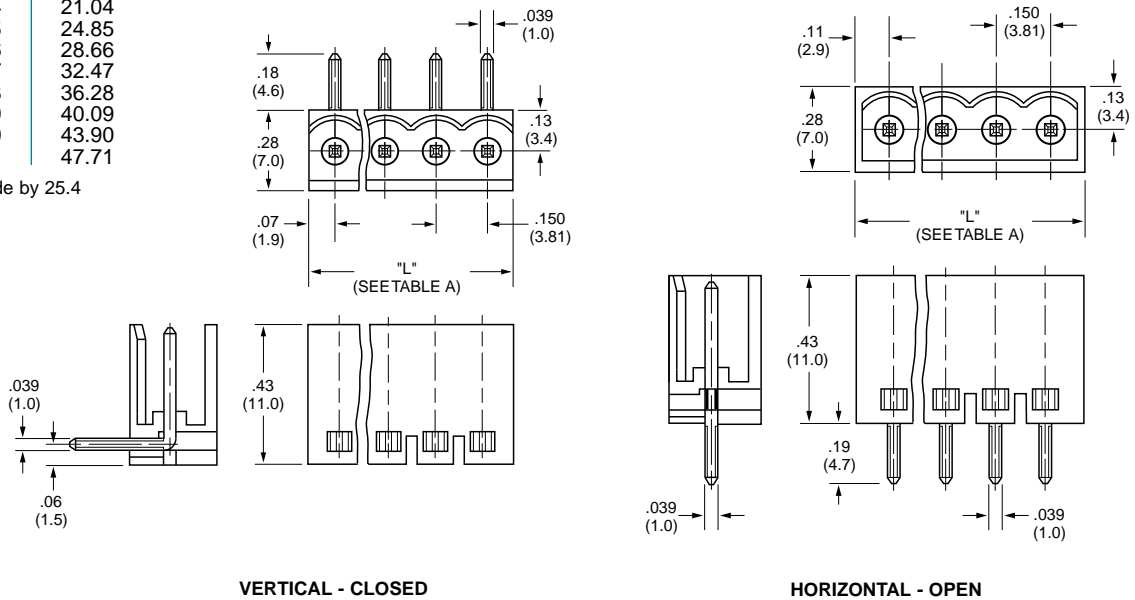


TABLE A

Position	Open L (mm)	Closed L (mm)
	7.61	9.61
02	11.42	13.42
03	15.23	17.23
04	19.04	21.04
05	22.85	24.85
06	26.66	28.66
07	30.47	32.47
08	34.28	36.28
09	38.09	40.09
10	41.90	43.90
11	45.71	47.71

To convert to inches, divide by 25.4

EM3573 Series



Part Numbering System

Series	# of Positions	Orientations	Side Base
EM3573	nn	n	n
	02 to 12	H - horizontal V - vertical	O - open C - closed