

MAGNUM®

EM3563 Series Euro-Mag Terminal Blocks

Depluggable Block (Mates with EM3573 Header), 3.81 Centers

SPECIFICATIONS

Rating: 10A, 125V

Center Spacing: .150" (3.81 mm)

Consult factory for .300" (7.62 mm)

Wire Size: #18 AWG

Housing Material: Green Polyamide Type 6/6, 94VO

Contact Material: Brass Tin Plated

Screw Size: M 2x3 Zinc Plated Steel

Operating Temperature: 105°C (221°F) max., -40°C (-40°F) min.

Torque Rating: 3.5 in.-lbs.

Construction: Mold to Length

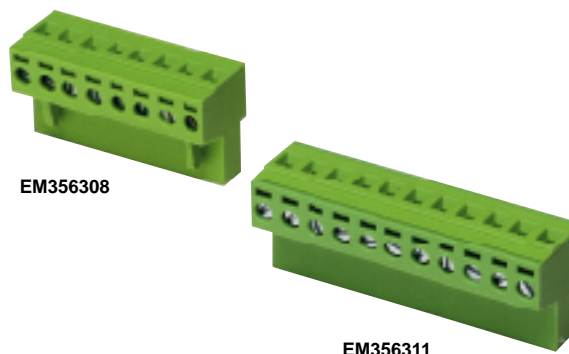
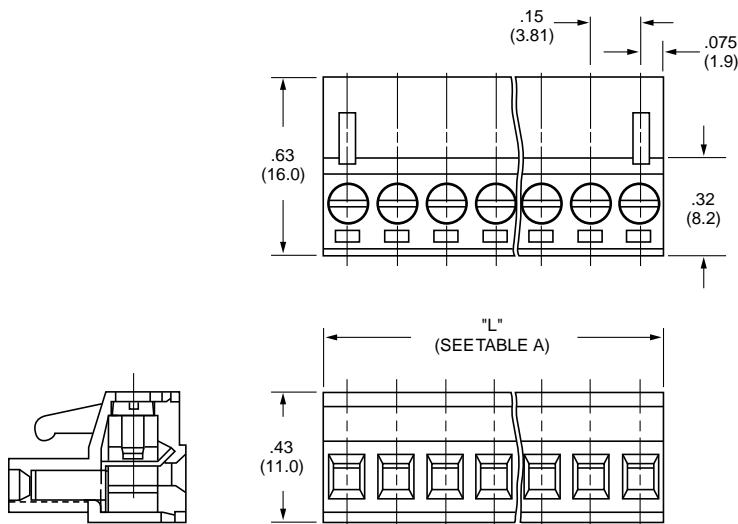


TABLE A

Position	L (mm)
	7.90
02	11.71
03	15.52
04	19.33
05	23.14
06	26.95
07	30.76
08	34.57
09	38.38
10	42.19
11	46.00

To convert to inches, divide by 25.4

EM3563 Series



Part Numbering System

Series

of Positions

EM3563 nn

02 to 12