

EM2795 Series
Euro-Mag Terminal Blocks
Screwless, Stackable, 5.08 Centers

SPECIFICATIONS

Rating: 10A, 300V
 Center Spacing: .200" (5.08)
 Wire Size: #14-24 AWG
 Housing Material: Green Polyamide Type 6/6, 94VO
 Contact Material: Tin Plated Brass
 Operating Temperature: 105°C (221°F) max., -40°C (-40°F) min.
 Recommended PCB Hole Diameters: .051" (1.30)
 Construction: Stackable to achieve longer lengths
 Agency Approvals: UL E62622; CSA 701941; CE Certified

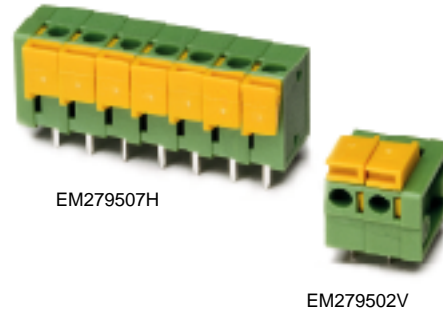


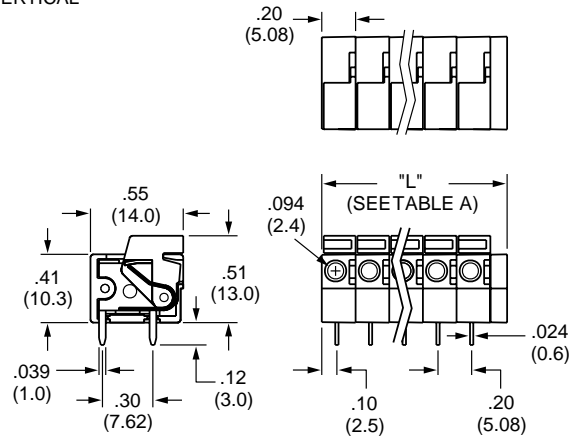
TABLE A

Poles	L (mm)	Poles	L (mm)
1	7.62	13	68.58
2	12.70	14	73.66
3	17.78	15	78.74
4	22.86	16	83.82
5	27.94	17	88.90
6	33.02	18	93.98
7	38.10	19	99.06
8	43.18	20	104.14
9	48.26	21	109.22
10	53.34	22	114.30
11	58.42	23	119.38
12	63.50	24	124.46

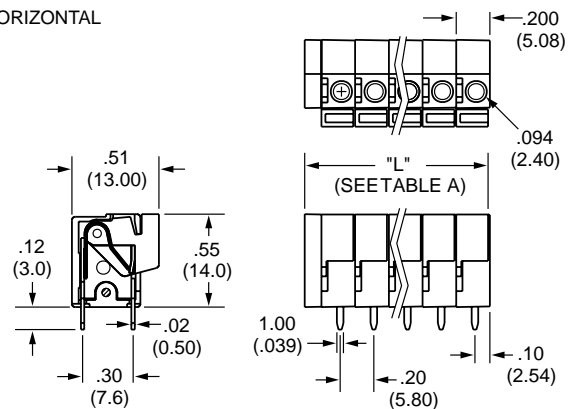
To convert to inches, divide by 25.4

EM2795 Series

VERTICAL



HORIZONTAL



Part Numbering System

Series	# of Positions	Orientation
EM2795	nn	n
	01 to 24	H - horizontal V - vertical