

EM2575 Series
Euro-Mag Terminal Blocks
 Header (Mates with EM2565
 Depluggable Block), 5.08 Centers

SPECIFICATIONS

Rating: 15A, 300V
Center Spacing: .200" (5.08 mm)
 Consult factory for .400" (10.16 mm)
Housing Material: Green Polyamide Type 6/6, 94VO
Contact Material: Brass Tin Plated
Operating Temperature: 105°C (221°F) max., -40°C (-40°F) min.
Recommended PCB Hole Diameters: .055" (1.40)
Construction: Mold to Length
Approvals: UL E62622; CSA LR701941; CE Certified

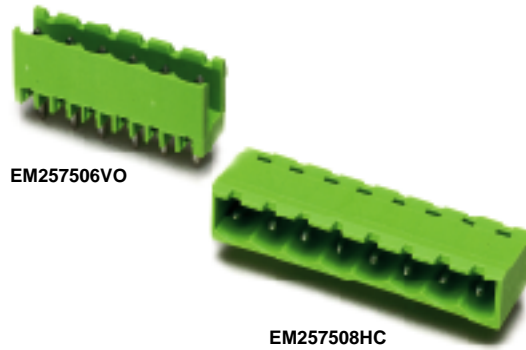
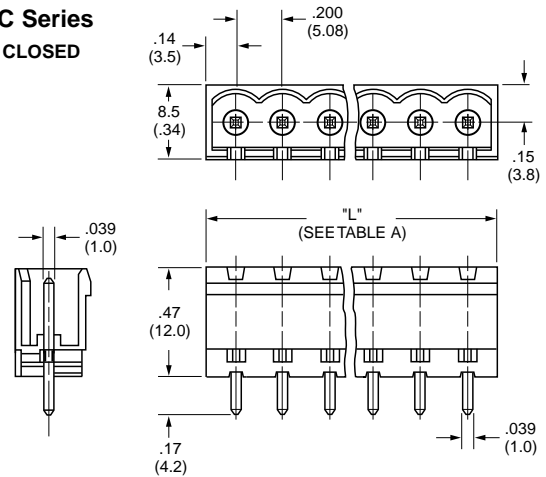


TABLE A

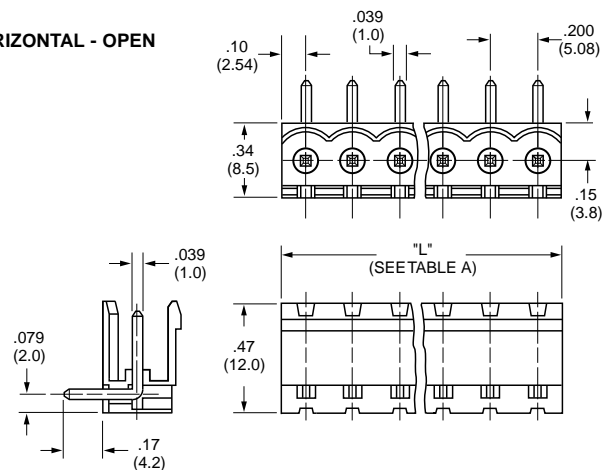
Position	Open L (mm)	Closed L (mm)	Position	Open L (mm)	Closed L (mm)
02	10.16	12.08	14	71.12	73.04
03	15.24	17.16	15	76.20	78.12
04	20.32	22.24	16	81.28	83.20
05	25.40	27.32	17	86.36	88.28
06	30.48	32.40	18	91.44	93.36
07	35.56	37.48	19	96.52	98.44
08	40.64	42.56	20	101.60	103.52
09	45.72	47.64	21	106.68	108.60
10	50.80	52.72	22	111.76	113.68
11	55.88	57.80	23	116.84	118.76
12	60.96	62.88		121.92	123.84
	66.04	67.96			

To convert to inches, divide by 25.4

EM2575VC Series
 VERTICAL - CLOSED



HORIZONTAL - OPEN



Part Numbering System

Series	# of Positions	Orientations	Side Base
EM2575	nn	n	n
	02 to 24	H - horizontal V - vertical	O - open C - closed