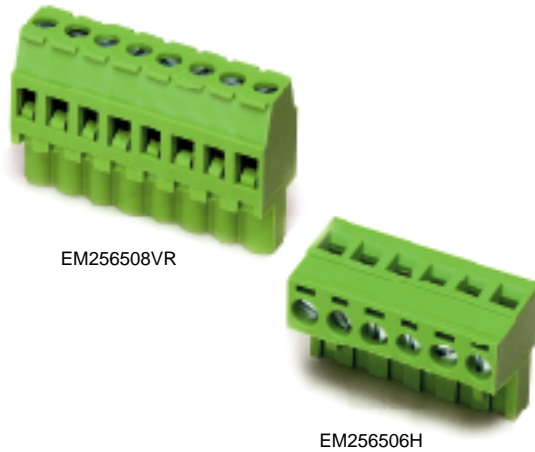


EM2565 Series
Euro-Mag Terminal Blocks
 Depluggable Block (Mates with EM2575 Header), 5.08 Centers



SPECIFICATIONS

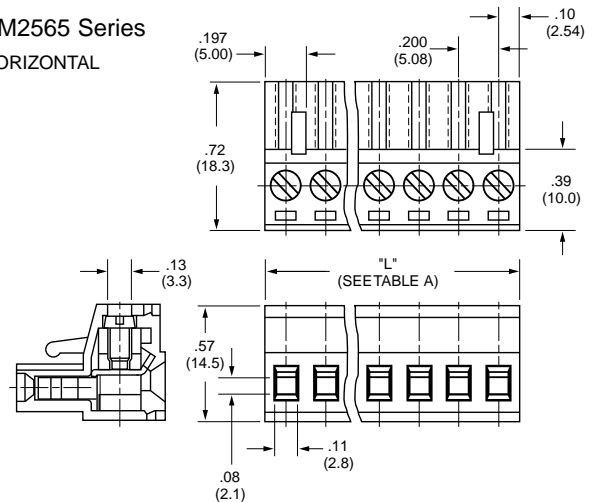
Rating: 15A, 300V
 Center Spacing: .200" (5.08 mm)
 Consult factory for .400" (10.16 mm)
 Wire Size: #12-22 AWG
 Housing Material: Green Polyamide Type 6/6, 94VO
 Contact Material: Brass Tin Plated
 Screw Size: M 3x5 Zinc Plated Steel
 Operating Temperature: 105°C (221°F) max., -40°C (-40°F) min.
 Torque Rating: 4.5 in-lb.
 Construction: Mold to Length
 Approvals: UL E62622; CSA LR701941; CE Certified

TABLE A

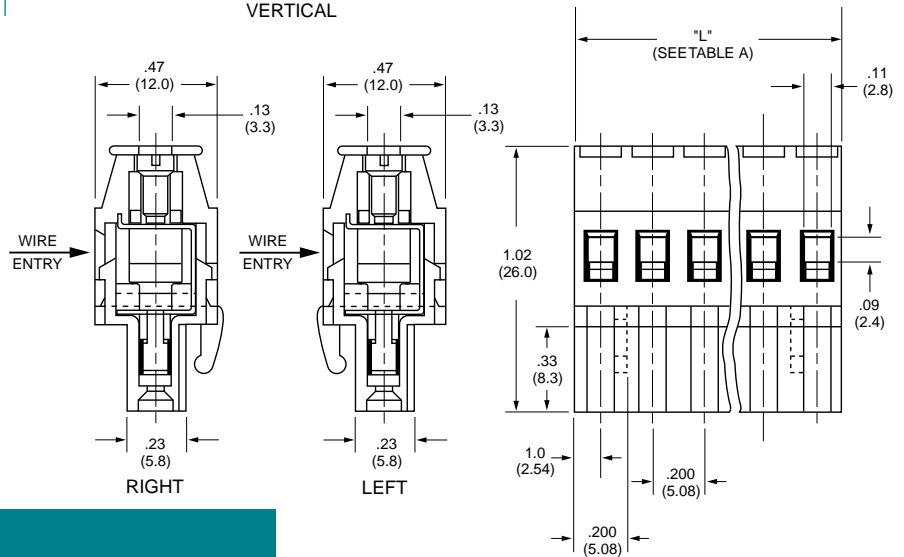
Position	L (mm)	Position	L (mm)
02	10.16	14	71.12
03	15.24	15	76.20
04	20.32	16	81.28
05	25.40	17	86.36
06	30.48	18	91.44
07	35.56	19	96.52
08	40.64	20	101.60
09	45.72	21	106.68
10	50.80	22	111.76
11	55.88	23	116.84
12	60.96	24	121.92
13	66.04		

To convert to inches, divide by 25.4

EM2565 Series
HORIZONTAL



VERTICAL



Part Numbering System

Series	# of Positions	Orientation	Wire Entry (Vertical Only)
EM2565	nn	n	n
	02 to 24	H - horizontal V - vertical	L - left R - right