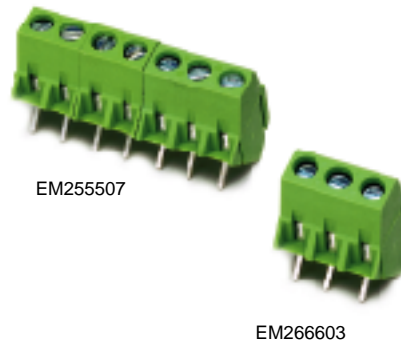


MAGNUM®

EM2555 Series Euro-Mag Terminal Blocks 45° Angle, Stackable, 5.00 Centers

SPECIFICATIONS

Rating: 15A, 300V
 Center Spacing: .197" (5.00 mm)
 Consult factory for .393" (10.00 mm)
 Wire Size: #12-22 AWG
 Housing Material: Green Polyamide Type 6/6, 94VO
 Contact Material: Brass Tin Plated
 Screw Size: M 3x5 Zinc Plated Steel
 Operating Temperature: 105°C (221°F) max., -40°C (-40°F) min.
 Torque Rating: 4.5 in-lb.
 Recommended PCB Hole Diameters: .055" (1.40)
 Construction: Modular design features dove-tails for interlocking to achieve longer lengths.
 Approvals: UL E62622; CE Certified

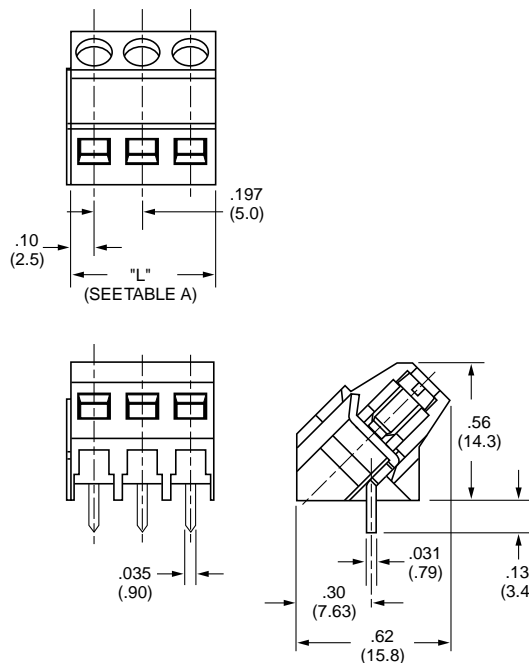


EM2555 Series

TABLE A

Position	L (mm)	Position	L (mm)
02*	10.00	14	70.00
03*	15.00	15	75.00
04	20.00	16	80.00
05	25.00	17	85.00
06	30.00	18	90.00
07	35.00	19	95.00
08	40.00	20	100.00
09	45.00	21	105.00
10	50.00	22	110.00
11	55.00	23	115.00
12	60.00	24	120.00
13	65.00		

* Mold to Length
 To convert to inches, divide by 25.4



Part Numbering System

Series # of Positions

EM2555 nn

02 to 24