

MAGNUM®

EM2535 Series Euro-Mag Terminal Blocks

Header (Mates with EM2525
Depluggable Block), 5.00 Centers

SPECIFICATIONS

Rating: 15A, 300V

Center Spacing: .197" (5.00 mm)

Consult factory for .393" (10.00 mm)

Housing Material: Green Polyamide Type 6/6, 94VO

Contact Material: Brass Tin Plated

Operating Temperature: 105°C (221°F) max., -40°C (-40°F) min.

Recommended PCB Hole Diameters: .055" (1.40)

Construction: Mold to Length

Approvals: UL E62622; CSA LR701941; CE Certified



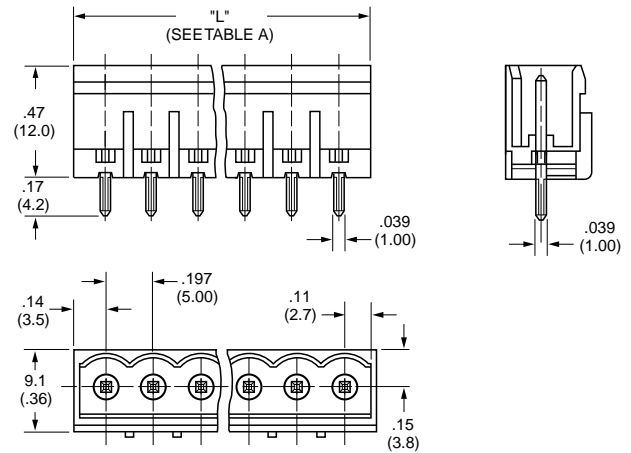
TABLE A

Position	Open L (mm)	Closed L (mm)	Position	Open L (mm)	Closed L (mm)
02	10.00	12.00	14	70.00	72.00
03	15.00	17.00	15	75.00	77.00
04	20.00	22.00	16	80.00	82.00
05	25.00	27.00	17	85.00	87.00
06	30.00	32.00	18	90.00	92.00
07	35.00	37.00	19	95.00	97.00
08	40.00	42.00	20	100.00	102.00
09	45.00	47.00	21	105.00	107.00
10	50.00	52.00	22	110.00	112.00
11	55.00	57.00	23	115.00	117.00
12	60.00	62.00		120.00	122.00
	65.00	67.00			

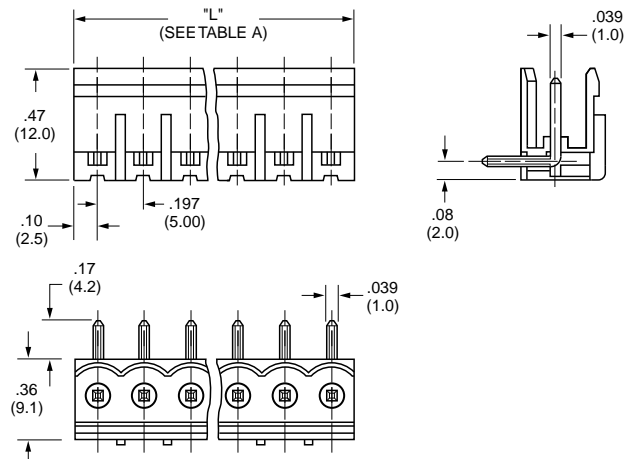
To convert to inches, divide by 25.4

EM2535 Series

VERTICAL - CLOSED



HORIZONTAL - OPEN



Part Numbering System

Series	# of Positions	Orientations	Side Base
EM2535	nn	n	n
	02 to 24	H - horizontal V - vertical	O - open C - closed