

# MAGNUM®

## EM2525 Series Euro-Mag Terminal Blocks Depluggable Block (Mates with EM2535 Header), 5.00 Centers

### SPECIFICATIONS

Rating: 15A, 300V  
 Center Spacing: .197" (5.00 mm)  
 Consult factory for .393" (10.0 mm)  
 Wire Size: #12-22 AWG  
 Housing Material: Green Polyamide Type 6/6, 94VO  
 Contact Material: Brass Tin Plated  
 Screw Size: M 3x5 Zinc Plated Steel  
 Operating Temperature: 105°C (221°F) max., -40°C (-40°F) min.  
 Torque Rating: 4.5 in-lb.  
 Construction: Mold to Length

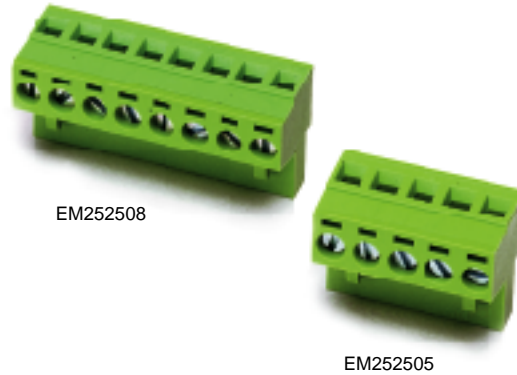
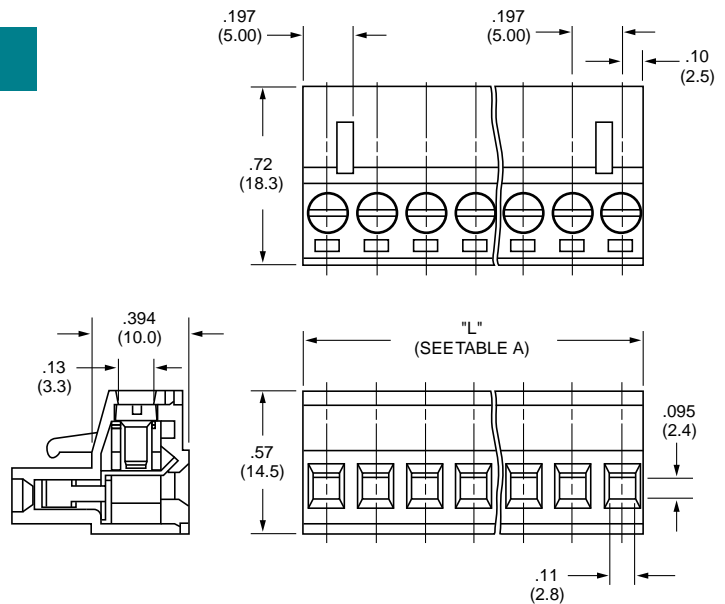


TABLE A

Position	L (mm)	Position	L (mm)
02	10.00	14	70.00
03	15.00	15	75.00
04	20.00	16	80.00
05	25.00	17	85.00
06	30.00	18	90.00
07	35.00	19	95.00
08	40.00	20	100.00
09	45.00	21	105.00
10	50.00	22	110.00
11	55.00	23	115.00
12	60.00	24	120.00
13	65.00		

To convert to inches, divide by 25.4

EM2525 Series



## Part Numbering System

Series # of Positions

EM2525 nn

02 to 24