

EM2475 Series
Euro-Mag Terminal Blocks
 Header (Mates with EM2465 Series)
 5.00 Centers

SPECIFICATIONS

Rating: 12A, 300V
Center Spacing: .197" (5.00)
Housing Material: Green Polyamide Type 6/6, 94VO
Contact Material: Tin Plated Brass
Operating Temperature: 105°C (221°F) max., -40°C (-40°F) min.
Recommended PCB Hole Diameters: .059" (1.50)
Construction: Mold to Length
Agency Approvals: UL E62622; CSA Pending; CE Certified

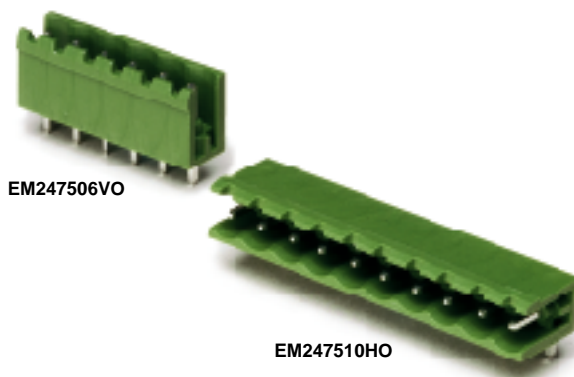
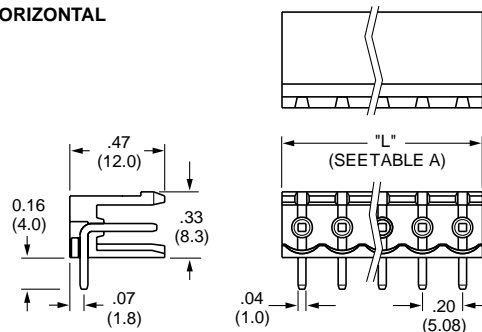


TABLE A

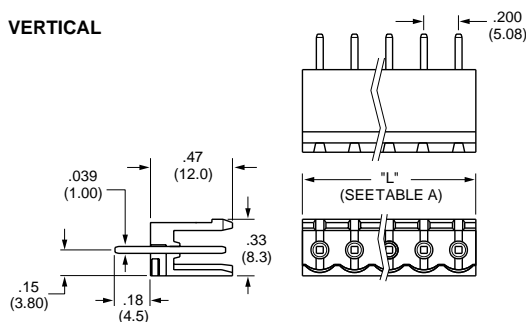
Poles	L (mm)	Poles	L (mm)
2	10.16	8	40.64
3	15.24	9	45.72
4	20.32	10	50.80
5	25.40	11	55.88
6	30.48	12	60.96
7	35.56		

To convert to inches, divide by 25.4

EM2475 Series
HORIZONTAL



VERTICAL



Part Numbering System

Series	# of Positions	Orientation	Side Base
EM2475	nn	n	a
	02 to 12	H - horizontal V - vertical	O - Open