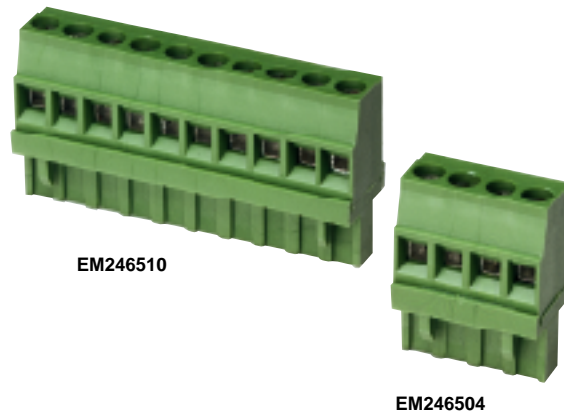


**EM2465 Series  
Euro-Mag Terminal Blocks**

Depluggable Block  
(Mates with EM2475 Series) 5.00 Centers

**SPECIFICATIONS**

- Rating:** 12A, 300V
- Center Spacing:** .197" (5.00)
- Wire Size:** #14-24 AWG
- Housing Material:** Green Polyamide Type 6/6 94VO
- Contact Material:** Tin Plated Phos Bronze
- Screw Size:** M 2x6, Nickel Plated Steel
- Operating Temperature:** 105°C (221°F) max., -40°C (-40°F) min.
- Torque Rating:** 5.0 in-lb.
- Construction:** Mold to Length
- Agency Approvals:** UL E62622; CSA Pending; CE Certified

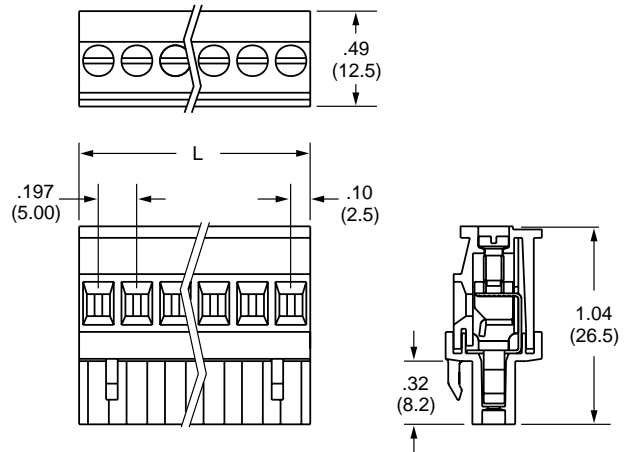


**TABLE A**

Poles	L (mm)	Poles	L (mm)
2	10.00	8	40.00
3	15.00	9	45.00
4	20.00	10	50.00
5	25.00	11	55.00
6	30.00	12	60.00
7	35.00		

To convert to inches, divide by 25.4

**EM2465 Series**



**Part Numbering System**

Series                      # of Positions

**EM2465**    **nn**

**02 to 12**