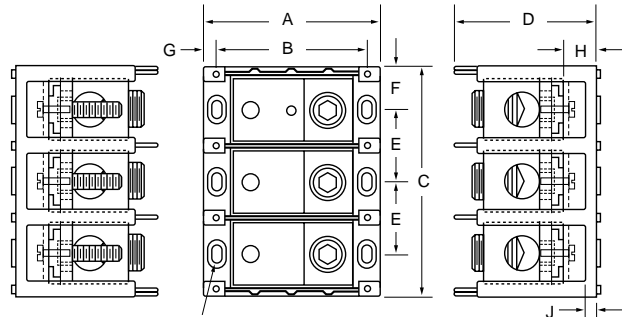


Connector/Stud Power Distribution Blocks Inches (Millimeters)

Series 162, 163 & 165

SPECIFICATIONS

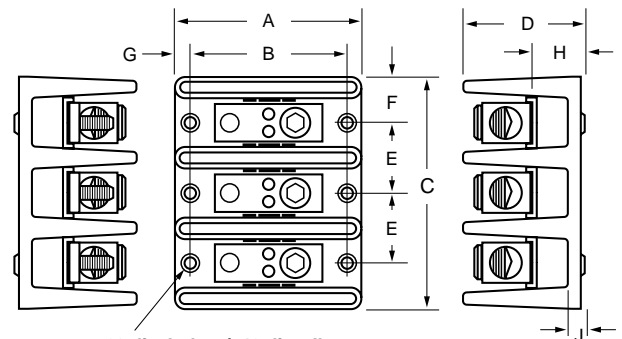
Ratings: To 760A, 600V; UL/CSA. See table.
Materials: Molded material: Black, UL rated 94V-0 thermoplastic
Operating Temperature: 150°C
Agency approvals: UL E62622 General Industrial Class per UL 1059. CSA LR15364; CE Pending.



MTG. HOLES .21 x .41
C'BORE .42 x .62 x .12 DEEP

Series 163 (1, 2, & 3-pole available)

Part Number	Line Connection	Load Connection	Connector Material & Ampacity	Agency Approvals
Connector to Stud				
16280	2/0-#14CU/#8AL	1/4-20x1/2 Stud	AL-175A	UL CSA
16281	2/0-#14CU/#8AL	1/4-20 Tapped hole	AL-175A	UL CSA
16378	500MCM-#6CU-AL	(2)1/4-20x1 Stud	AL-380A	UL CSA
16383	500MCM-#6CU-AL	(1)3/8-16x1 1/4 Stud	AL-380A	UL CSA
16582	(2)500MCM-#6CU-AL	(2)3/8-16x1 3/8 Stud	AL-760A	UL CSA
Stud to Stud				
16390	3/8-16x1 1/8 Stud	3/8-16x1 1/8 Stud	CU-250A	UL CSA
16394	1/2-13x1 1/8 Stud	1/2-13x1 1/8 Stud	CU-400A	UL CSA
16395	3/8-16x1 1/8 Stud	(2)1/4-20x 7/16 Stud	CU-310A	UL CSA
16591	3/8-16x1 1/8 Stud	(2)3/8-16x1 1/8 Stud	CU-400A	UL -
16593	1/2-13x1 Stud	1/2-13x1 Stud	CU-600A	UL CSA



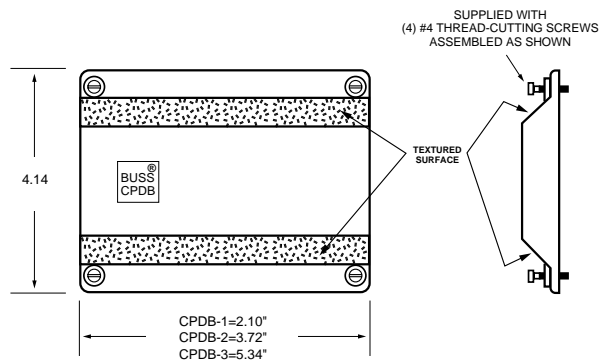
.20 dia. hole w/ .40 dia. c'bore

Series 162 & 165 (1, 2, & 3-pole available)

New Option Available on 163 Series Power Blocks

PROTECTIVE COVER TO GUARD AGAINST ACCIDENTAL CONTACT

- Clear with write on surface for field termination identification.
- Available in 1, 2, & 3 poles.



Series	A	B	C 1-pole	C 2-pole	C 3-pole	
162	2.87	2.25	1.06	1.87	2.68	
163	4.00	3.37	1.96	3.58	5.20	
165	5.50	4.75	3.12	5.81	8.50	
Series	D	E	F	G	H	J
162	1.75	.81	.53	.31	.84	.31
163	3.32	1.62	.97	.31	.87	.35
165	3.12	2.68	1.56	.37	1.37	.62

