

Splicer Terminal Blocks Inches (Millimeters)

Series 160, 162, 163 & 165

SPECIFICATIONS

Ratings: To 620A, 600V; UL/CSA. See table.

Materials: Molded material: Black, UL rated 94V-0 thermoplastic

Operating Temperature: 150°C

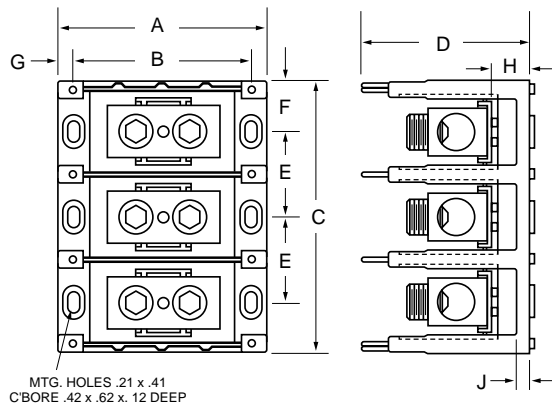
Marking: Marker strip is optional, consult factory.

Agency approvals: UL E62622 General Industrial Class per UL 1059; CSA LR15364; CE Pending

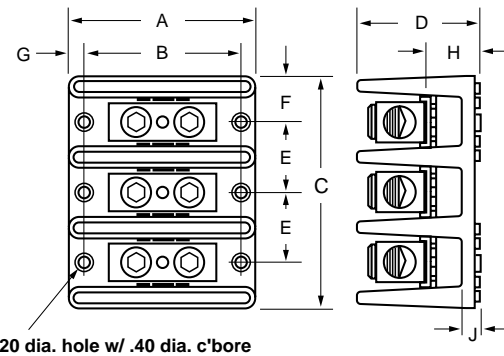
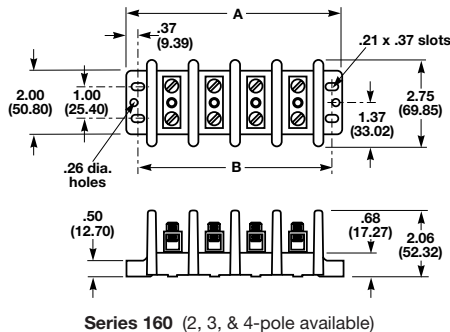


Part Number	Line Connection	Load Connection	Connector Material & Ampacity	Agency Approvals
*16000	2/0-#8CU-AL	2/0-#8 CU-AL	AL-175A	UL -
*16003	250MCM-#6CU	250MCM-#6CU	CU-255A	UL -
*16005	350MCM-#6CU-AL	350MCM-#6CU-AL	AL-310A	UL -
16200	#2-#14CU/#8AL	#2-#14CU/#8AL	AL-115A	UL CSA
16201	1/0-#14CU	1/0-#14CU	CU-150A	UL CSA
16204	2/0-#8CU-AL	2/0-#8CU-AL	AL-175A	UL CSA
16301	250MCM-#6CU	250MCM-#6CU	CU-255A	UL CSA
16303	350MCM-#6CU-AL	350MCM-#6CU-AL	AL-310A	UL CSA
16306	500MCM-#6CU-AL	500MCM-#6CU-AL	AL-380A	UL CSA
16500	⁽²⁾ 350MCM-#4CU-AL	⁽²⁾ 350MCM-#4CU-AL	AL-620A	UL CSA
16504	⁽²⁾ 500MCM-#6CU-AL	⁽²⁾ 500MCM-#6CU-AL	AL-760A	UL CSA

* 160 Series Bases have mounting holes outside the barriers. Other bases (162 through 165) have mounting holes within barriers. See dimensional drawings.



Series 163 (1, 2, & 3-pole available)



Series 162 & 165 (1, 2, & 3-pole available)

No. of Poles	A	B
2	4.12	3.62
3	5.37	4.87
4	6.62	6.12

Series	A	B	C			J
			1-pole	2-pole	3-pole	
162	2.87	2.25	1.06	1.87	2.68	
163	4.00	3.37	1.96	3.58	5.20	
165	5.50	4.75	3.12	5.81	8.50	
Series	D	E	F	G	H	J
162	1.75	.81	.53	.31	.84	.31
163	3.32	1.62	.97	.31	.87	.35
165	3.12	2.68	1.56	.37	1.37	.62

BIF document: 1430

