

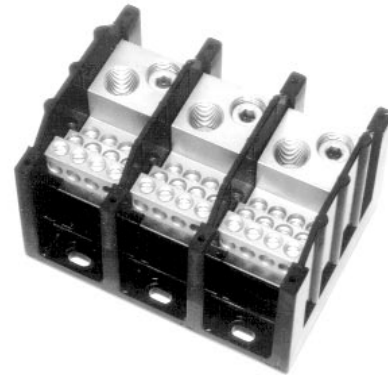
Power Blocks

Power Distribution Blocks Inches (Millimeters)

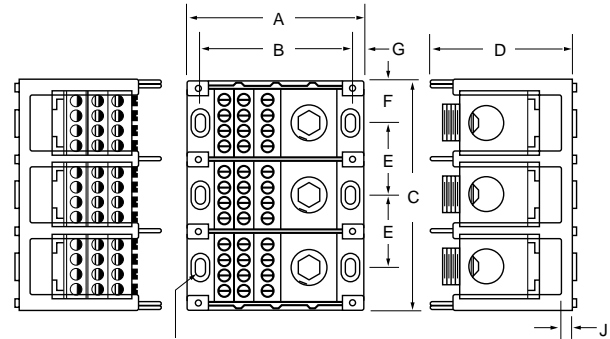
Series 160, 162, 163 & 165

SPECIFICATIONS

- Ratings:** To 840A, 600V; UL/CSA. See table.
- Materials:** Molded material: Black, UL rated 94V-0 thermoplastic
- Operating Temperature:** 150°C
- Marking:** Marker strip is optional; consult factory.
- Agency approvals:** UL E62622 General Industrial Class per UL 1059; CSA LR15364; CE Pending



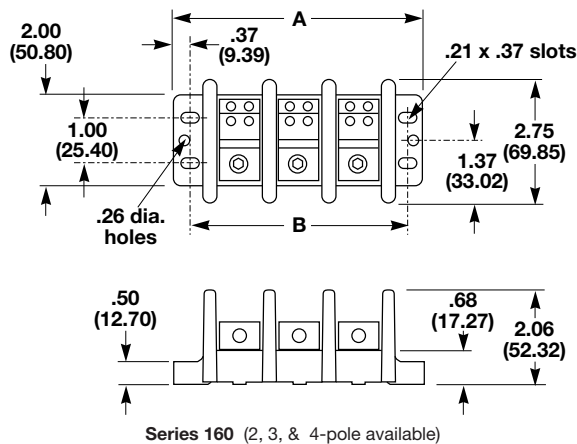
Part Number	Line Connection	Load Connection	Connector Material & Ampacity	Agency Approvals
*16021	2/0-#14CU/#8AL	⁽⁶⁾ #4-#14CU/#8AL	AL-175A	UL CSA
*16023	350MCM-#6CU-AL	⁽⁶⁾ #4-#14CU/#8AL	AL-310A	UL CSA
16220	2/0-#14CU/#8AL	⁽⁴⁾ #4-#14CU/#8AL	AL-175A	UL CSA
16321	2/0-#14CU-AL	⁽⁶⁾ #4-#14CU/#8AL	AL-175A	UL CSA
16323	350MCM-#6CU-AL	⁽⁶⁾ #4-#14CU/#8AL	AL-310A	UL CSA
16325	⁽²⁾ 2/0-#14CU/#8AL	⁽⁶⁾ #4-#14CU/#8AL	AL-350A	UL CSA
16330	500MCM-#6CU-AL	⁽⁶⁾ #2-#14CU/#8AL	AL-380A	UL CSA
16332	350MCM-#6CU-AL	⁽³⁾ #2-#14CU/#8AL & ⁽²⁾ 1/0-#14CU/#8AL	AL-310A	UL CSA
16335	500MCM-#6CU-AL	⁽³⁾ #2-#14CU/#8AL & ⁽²⁾ 1/0-#14CU/#8AL	AL-380A	UL -
16370	350MCM-#6CU-AL	⁽¹²⁾ #4-#14CU/#8AL	AL-310A	UL CSA
16371	350MCM-#6CU-AL	⁽⁶⁾ #2-#14CU/#8AL	AL-310A	UL CSA
16372	350MCM-#6CU-AL	⁽³⁾ 1/0-#14CU/#8AL	AL-310A	UL CSA
16373	350MCM-#6CU-AL	⁽²¹⁾ #10-#14CU/#10AL	AL-310A	UL CSA
16375	600MCM-#2CU-AL	⁽³⁾ 1/0-#14CU/#8AL	AL-310A	UL CSA
16376	600MCM-#2CU-AL	⁽¹⁴⁾ #10-#14CU/#8AL	AL-420A	UL CSA
16377	⁽²⁾ 300MCM-#2CU-AL	⁽¹²⁾ #4-#14CU/#8AL	AL-420A	UL CSA
16528	⁽²⁾ 600MCM-#2CU-AL	⁽³⁾ 1/0-#14CU-8AL	AL-570A	UL -
		⁽⁴⁾ 3/0-#8CU-AL	AL-840A	UL CSA
16530	⁽²⁾ 500MCM-#6CU-AL	⁽⁴⁾ #4-#14CU/#8AL & ⁽¹²⁾ #4-#14CU/#8AL	AL-760A	UL CSA



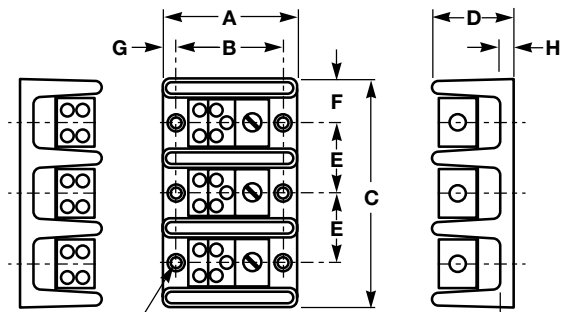
MTG. HOLES .21 x .41
CBORE .42 x .62 x .12 DEEP

Series 163 (1, 2, & 3-pole available)

* 160 Series Bases have mounting holes outside the barriers. Other bases (162 through 165) have mounting holes within barriers. See dimensional drawings.



Series 160 (2, 3, & 4-pole available)



20. dia. hole w/ .40 dia. c'bore
Series 162 & 165 (1, 2, & 3-pole available)

No. of Poles	A	B
2	4.12	3.62
3	5.37	4.87
4	6.62	6.12

Series	A	B	C			J
			1-pole	2-pole	3-pole	
162	2.87	2.25	1.06	1.87	2.68	
163	4.00	3.37	1.96	3.58	5.20	
165	5.50	4.75	3.12	5.81	8.50	
Series	D	E	F	G	H	J
162	1.75	.81	.53	.31	.84	.31
163	3.32	1.62	.97	.31	.87	.35
165	3.12	2.68	1.56	.37	1.37	.62

BIF document: 1431

