

Series 15188

Disconnect Terminal Blocks for 35mm DIN Rail Mount

SPECIFICATIONS

Rating: 30A; 600V*

Center spacing: .375" (9.52 mm)

Wire Size: AWG #12-16 CU

Screw Size: #6-32 zinc plated phillslot

Number of poles: 3 and 4 pole only

Mounting: 35mm DIN Rail

Optional End Stop NDNAS (shown on pg 4).

Jumpers: 2 through 4-pole available

Materials: Molded Base: Black, UL rated 94V-2 thermoplastic. Tin plated copper alloy contacts.

Torque rating: 12 in/lb max.

Operating temperature: 120°C

Approvals: UL E62622; CSA LR15364; CE Pending

*60A rating achieved with #10AWG wire crimped to ring terminal; 25A without.

Assembly*	ORIENTATION	
	Reverse	In-Line
3 Pole	15188-3R	15188-3
4 Pole	15188-4R	15188-4

* Includes male and female disconnect terminal block assembly.

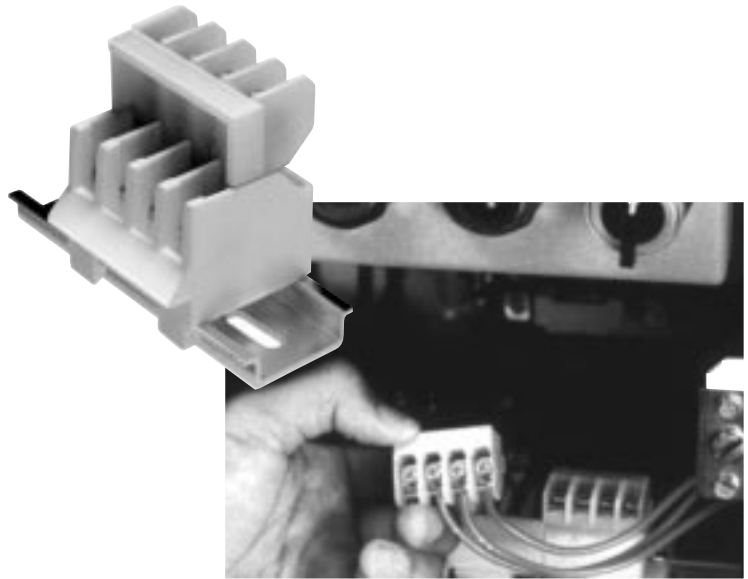
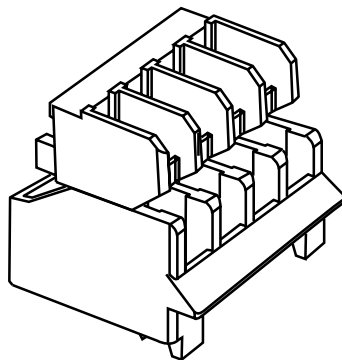
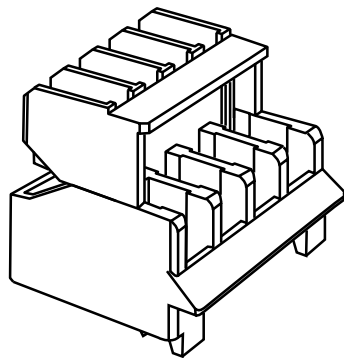


Photo courtesy of Square D Company.



REVERSE WIRING DIRECTION



IN-LINE WIRING DIRECTION

