

Series 15104

Edge Connectors – 1 Sided Boards / Right Angle Mount

SPECIFICATIONS

Rating: 10A, 300V

Center Spacing: .375" or 3/8" (9.52 mm)

Wire Size: #12-22 AWG CU

Terminals: Pressure plate terminals with screws set at 45° or 90° angle

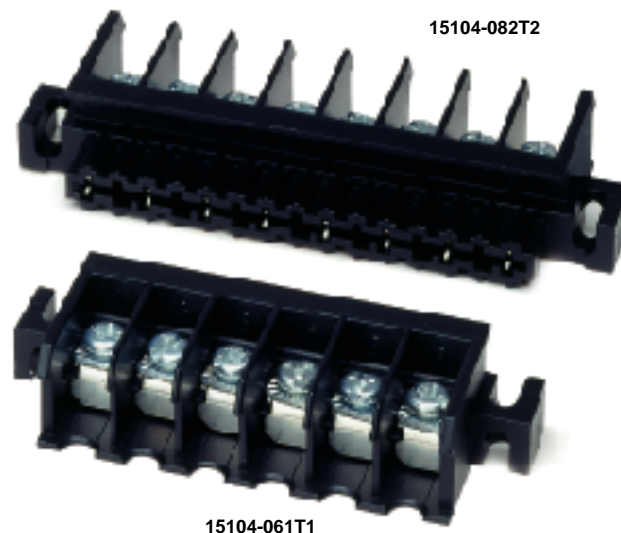
PC Board: Edge contact accepts standard 1/16" (.0625) PCB

Contacts: Tuning fork design of .021" thick phosphorus bronze with .0001" bright tin plating or .000015" gold plate over .00003" nickel

Material: Black, UL Rated 94VO Thermoplastic

Operating Temperature: 95°C max.

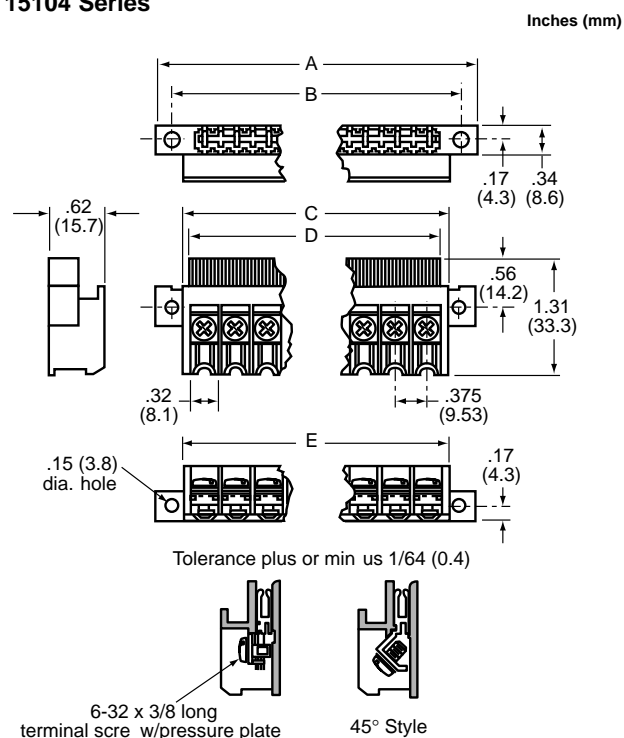
Approvals: UL E62622; CSA LR15364; CE Certified



Poles	A	B	C	D	E	Board Width
06	3.00	2.62	2.00	2.16	2.36	1.99
08	3.75	3.37	2.75	2.91	3.11	2.74
10	4.50	4.12	3.50	3.66	3.86	3.49
12	5.25	4.87	4.25	4.41	4.61	4.24
14	6.00	5.62	5.00	5.16	5.36	4.99
16	6.75	6.37	5.75	5.91	6.11	5.74
18	7.50	7.12	6.50	6.66	6.86	6.49
20	8.25	7.87	7.25	7.41	7.61	7.23
22	9.00	8.62	8.00	8.16	8.36	7.98
24	9.75	9.37	8.75	8.91	9.11	8.73
26	10.50	10.12	9.50	9.66	9.86	9.48
28	11.25	10.87	10.25	10.41	10.61	10.23

* Dimensions in inches. To convert to millimeters, multiply by 25.4.
Integral standoffs for mounting marker strips - consult factory.

15104 Series



Part Numbering System

Series	Poles	Terminal	Plating	Screw
15104	nn	n	n	n
	06 to 28 (Increments of 2)	1 - 90° angle 2 - 45° angle	T - Tin G - Gold	1 - #6-32 pan head. w/wire clamp