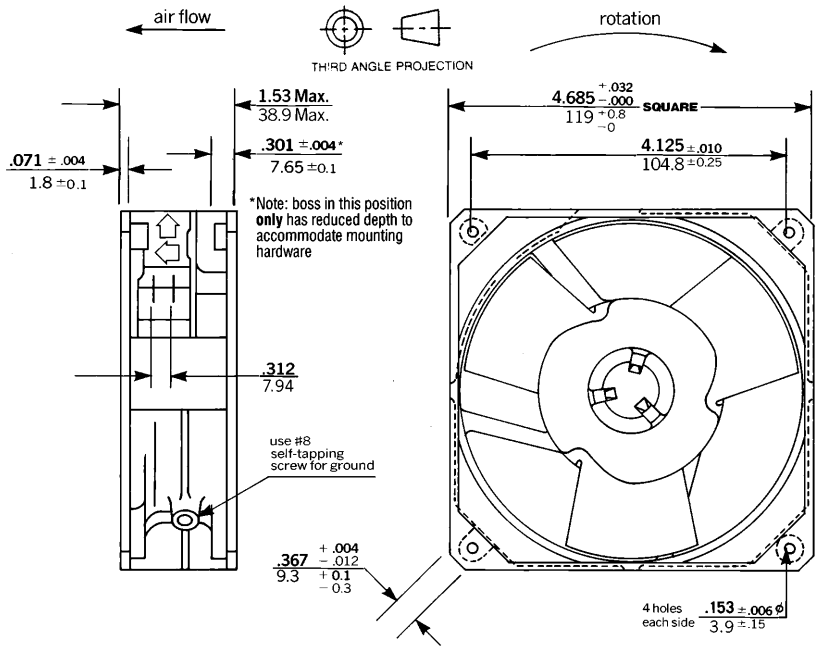


AC FANS

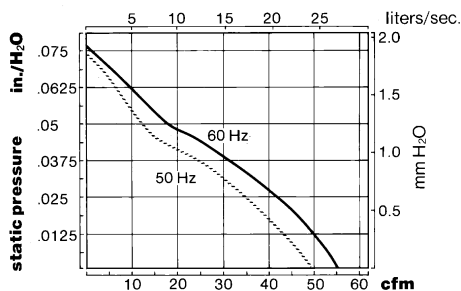
Model 141

Size: 120 mm x 38 mm (4.69" x 1.5")

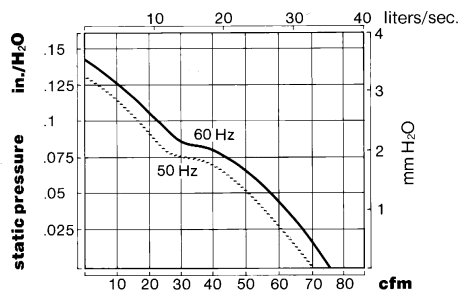


Part Number	Bearings	Voltage(VAC)	Frequency(Hz)	Current(mA)	Input(watts)	Noise(dBA)	Speed(rpm)	Airflow(cfm)
141LS-2282-010	Sleeve	115	50/60	160/140	13/12	44/49	2800/3200	90/102
141LS-0282-010	Ball							
141LS-2281-010	Sleeve	220	50/60	95/80	14/12	43/47	2800/3200	92/105
141LS-0281-010	Ball							
141LT-2282-010	Sleeve	115	50/60	125/110	10/9	35/38.5	2200/2400	70/75
141LT-0282-010	Ball							
141LT-2281-010	Sleeve	220	50/60	75/65	12/10	35/38.5	2200/2400	70/75
141LT-0281-010	Ball							
141LV-2282-010	Sleeve	115	50/60	110/100	9/8	27.5/28	1600/1700	50/55
141LV-0282-010	Ball							
141LV-2281-010	Sleeve	220	50/60	60/55	10/9	27.5/28	1600/1700	50/55
141LV-0281-010	Ball							

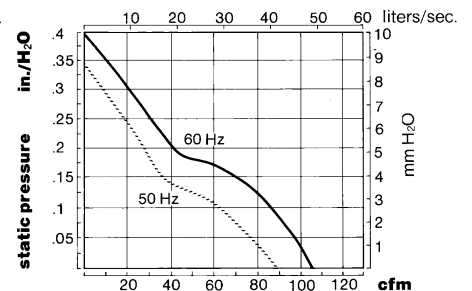
141LV Performance Curve



141LT Performance Curve



141LS Performance Curve



ETRI Model 141 AC FANS

Size: 120 mm x 38 mm (4.69" x 1.5")



ELECTRICAL SPECIFICATIONS

Item	Specification	Conditions/Tolerances
Motor type	shaded pole	2 pole type
Rated Voltage	115 VAC or 220 VAC	±10%
Frequency	50/60 Hz.	Able to operate at either frequency
Input Current	At nominal voltage	±10%
Input Power	At nominal voltage	±10%
Max air flow / Back pressure	All tested in submerged orifice chamber	±4% cfm/±8% pressure
Dielectric strength	2250 VAC	5 sec, 4mA leakage
Electrical Connection	"110" Faston terminals	
Speed	At nominal voltage	±4%

MECHANICAL SPECIFICATIONS

Item	Specification	Conditions
Life expectancy	50,000 hours	continuous operation @ 25°C, 65% relative humidity
Bearing	ball bearing/sleeve bearing	Use under 70°C/Use under 55°C
Airflow direction	air intake over impeller	
Housing material	Zamak (zinc alloy)	single piece die-cast housing
Impeller	Lexan 500-10% glass filled	UL 94V-0
Weight	0.725 kg. (25.5 oz)	
Rotation	clock-wise viewed from impeller	

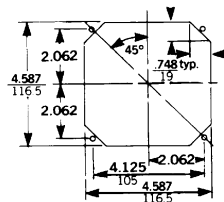
ENVIRONMENTAL SPECIFICATIONS

Item	Specification	Conditions
Operating temperature	-10 to +70°C/-10 to +55°C	Ball bearing/Sleeve bearing
Storage temperature	-40 to +70°C	6 months max.
Paint	Black enamel	
Acoustical	Anechoic chamber at free air	Microphone - 1 meter away

PROTECTION

Item	Specification	Conditions
Locked rotor	impedance protected	
Insulation class	UL class A	
Agency approvals	UL, CSA, VDE, CE	
Warranty	3 years	

PANEL CUT-OUT



ACCESSORIES

ETRI fans are available with a wide range of accessories, from finger guards to filter assemblies to special termination. Request our accessories brochure or call your nearest distributor for complete details.



1503, Rocky River Road North
 Monroe, NC 28110 USA
 Tel: 704.289.5423
 Fax: 704.283.7170

9-11, rue de Moulin des Bruyères
 92400 Courbevoie FRANCE
 Tel: (33-1) 49 04 92 00
 Fax: (33-1) 47 89 09 38

Website: <http://www.etrinet.com> Email: sales@etrinet.com